

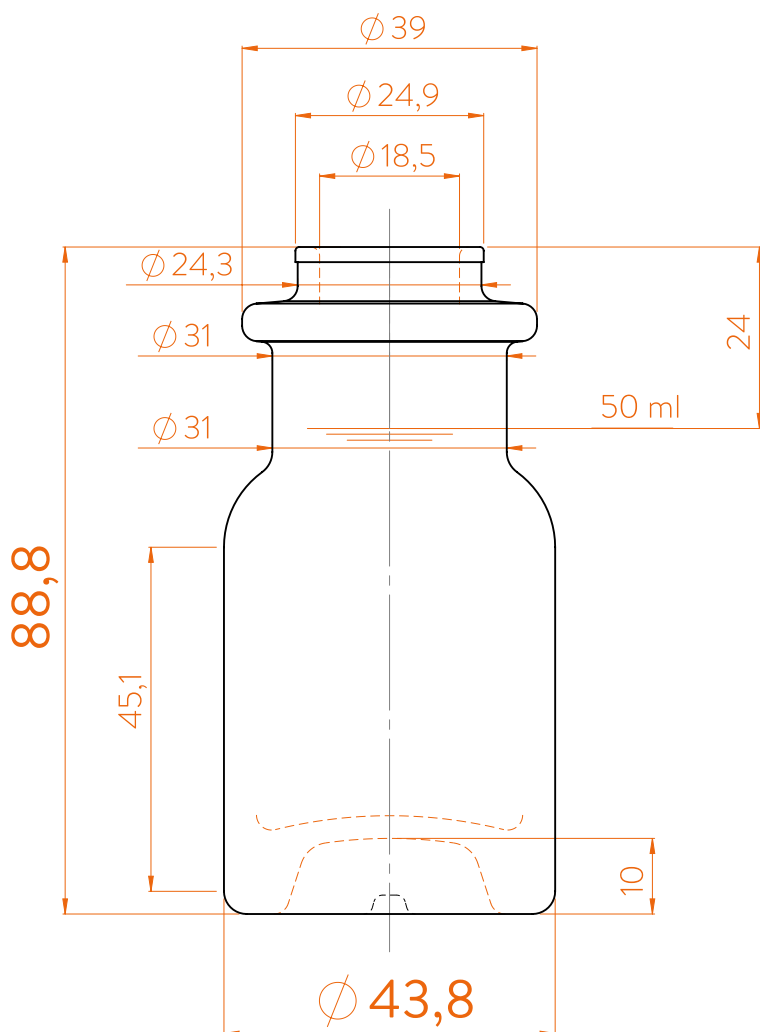


Modelo registrado/
Registered model/
Modèle enregistré/



Special

-  EXTRA FLINT
-  DARK WILD GLASS
-  FLINT WILD GLASS



DATOS TÉCNICOS TECHNICAL DATA DONNÉES TECHNIQUES

Peso / Weight / Poids	113 gr
Altura total / Total height / Hauteur totale	88,8 mm
Diámetro del cuerpo / Body diameter / Diamètre du corps	43,8 mm
Ø interno boca / Ø inner mouth / Ø intérieur bouche	18,5 mm
Capacidad a verter / Brimfull / Capacité ras-bord	60 ml

5 cl

At first the DA ECO PHILOS CORK range is proposed in 50/100/250/500/700/750 ml.
Following business opportunities, other sizes (from miniature 5cl to big size 300cl) will be added to the range.