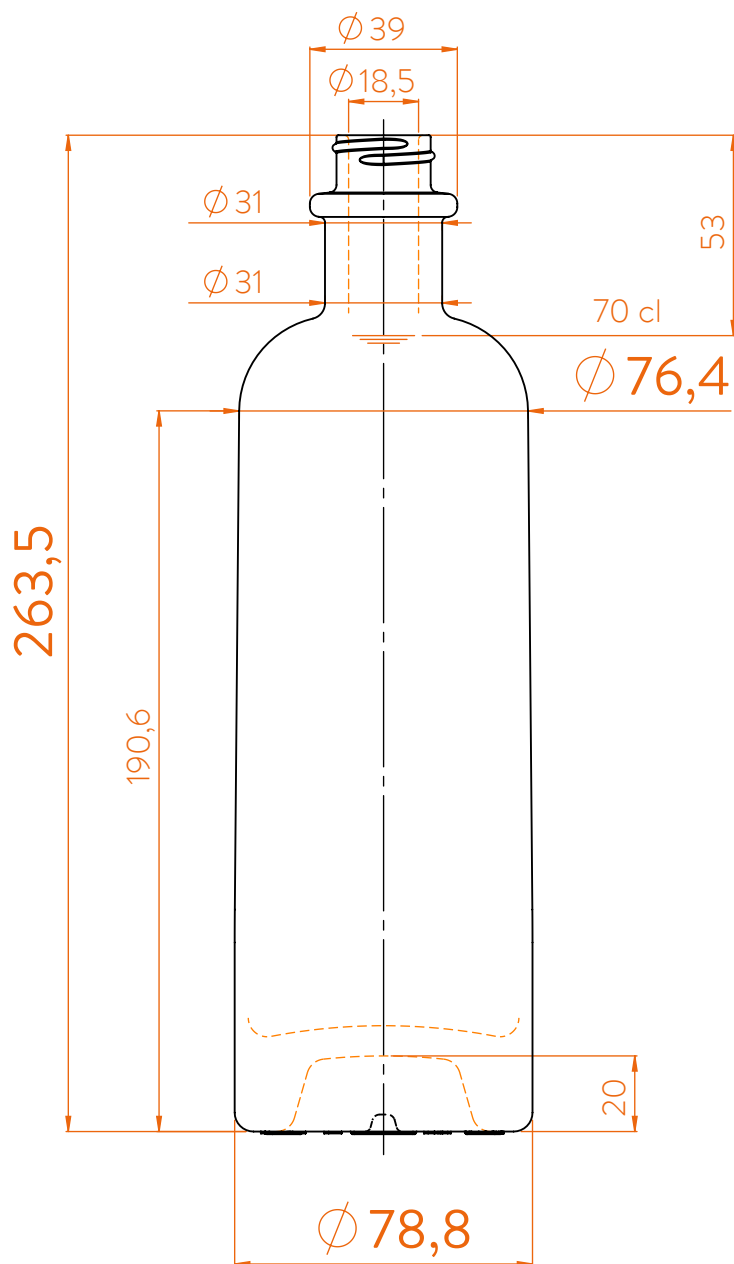


# DA PHILOS BOLD<sup>®</sup>

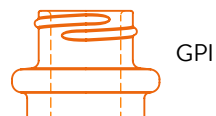
**estal.**

www.estal.com

+ 34 972 821 676



Modelo registrado/  
Registered model/  
Modèle enregistré/



- EXTRAFLINT
- FLINT WILD GLASS
- DARK WILD GLASS



## DATOS TÉCNICOS TECHNICAL DATA DONNÉES TECHNIQUES

**Peso / Weight / Poids**

700 gr

**Altura total / Total height / Hauteur totale**

263,5 mm

**Diámetro del cuerpo / Body diameter / Diamètre du corps**

78,8/76,4 mm

**$\phi$  interno boca /  $\phi$  inner mouth /  $\phi$  intérieur bouche**

18,5 mm

**Capacidad a verter / Brimfull / Capacité ras-bord**

722 ml

## 70 cl

*At first the DA PHILOS BOLD range is proposed in 70/75 cl.*

*Following business opportunities, other sizes (from miniature 5cl to big size 300cl) will be added to the range.*

The elements detailed in this document are not contractual. They are only indicative.