

# EASY JAR WAVE ©

**estal.**

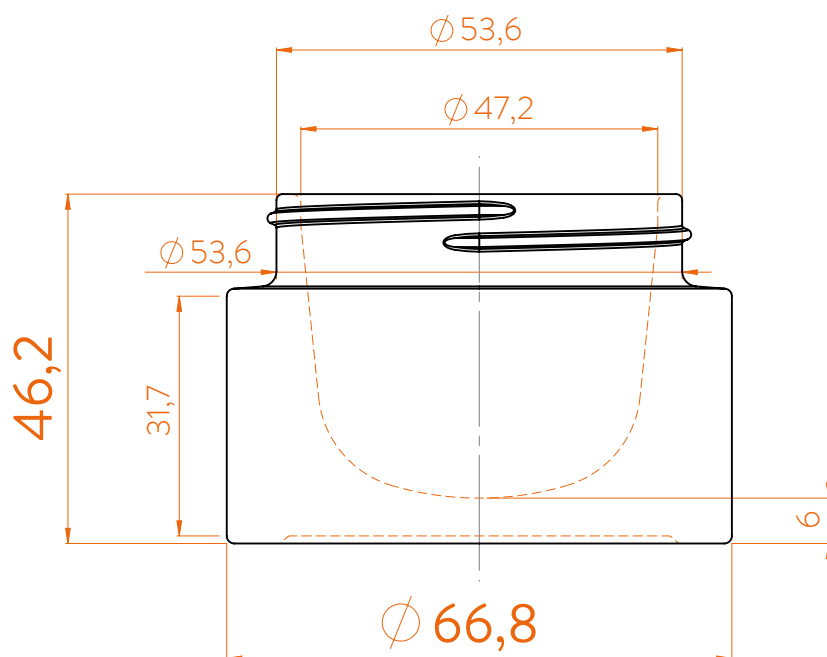
www.estal.com  
+ 34 972 821 676

Modelo registrado/  
Registered model/  
Modèle enregistré/



GPI 400/58

EXTRA FLINT



## DATOS TÉCNICOS TECHNICAL DATA DONNÉES TECHNIQUES

<b>Peso / Weight / Poids</b>	220 gr
<b>Altura total / Total height / Hauteur totale</b>	46,2 mm
<b>Diámetro del cuerpo / Body diameter / Diamètre du corps</b>	66,8 mm
<b>Ø interno boca / Ø inner mouth / Ø intérieur bouche</b>	47,2 mm
<b>Capacidad a verter / Brimfull / Capacité ras-bord</b>	55 ml

**50 ml**

*At first the EASY JAR WAVE range is proposed in 3/6/10/15/30/50 ml.  
Following business opportunities, other sizes (from miniature 5cl to big size 300cl) will be added to the range.*

The elements detailed in this document are not contractual. They are only indicative.