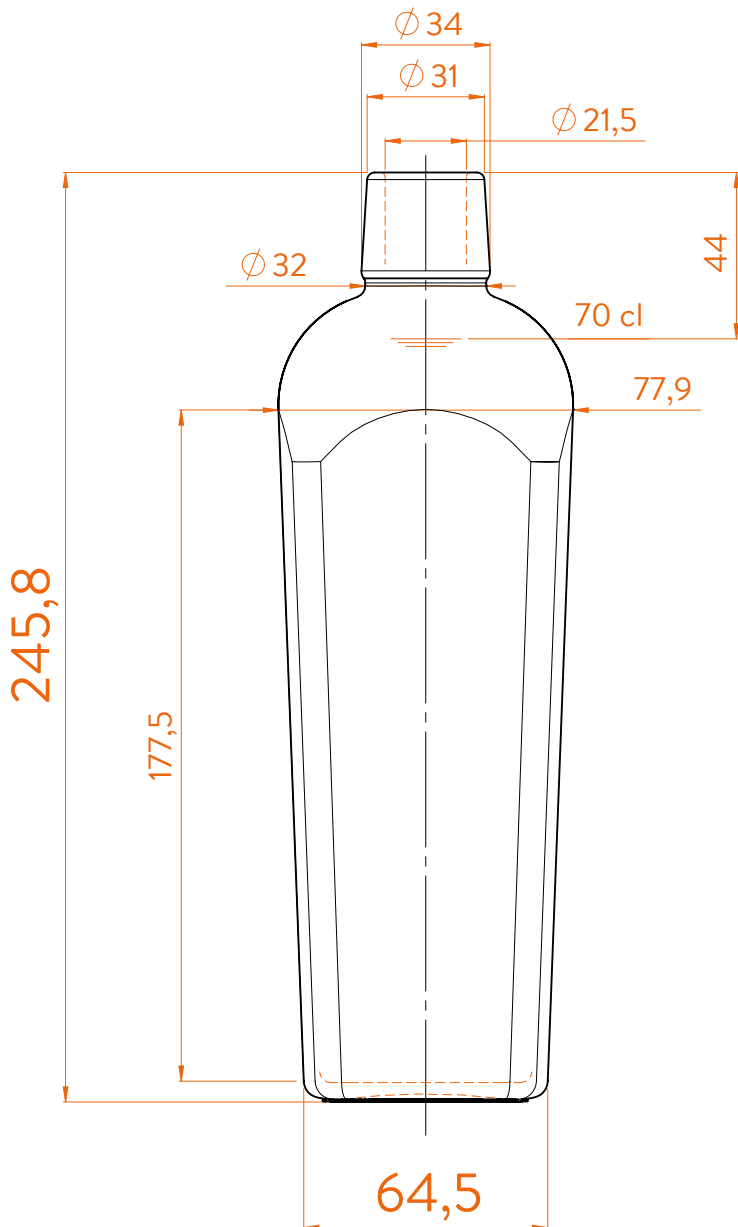


# LANCE<sup>®</sup>

# estal.

www.estal.com

+ 34 972 821 676



Modelo registrado

Registered model

Modèle déposé



Choker Long



WILD FLINT GLASS

WILD DARK GLASS



## DATOS TÉCNICOS TECHNICAL DATA DONNÉES TECHNIQUES

**Peso / Weight / Poids**

600 gr

**Altura total / Total height / Hauteur totale**

245,8 mm

**Diámetro del cuerpo / Body diameter / Diamètre du corps**

64,5 / 77,9 mm

**Ø interno boca / Ø inner mouth / Ø intérieur bouche**

21,5 mm

**Capacidad a verter / Brimfull / Capacité ras-bord**

730 ml

## 70 cl

*At first the LANCE range is proposed in 70/75 cl.*

*Following business opportunities, other sizes (from miniature 5cl to big size 300cl) will be added to the range.*

The elements detailed in this document are not contractual. They are only indicative.

www.estal.com