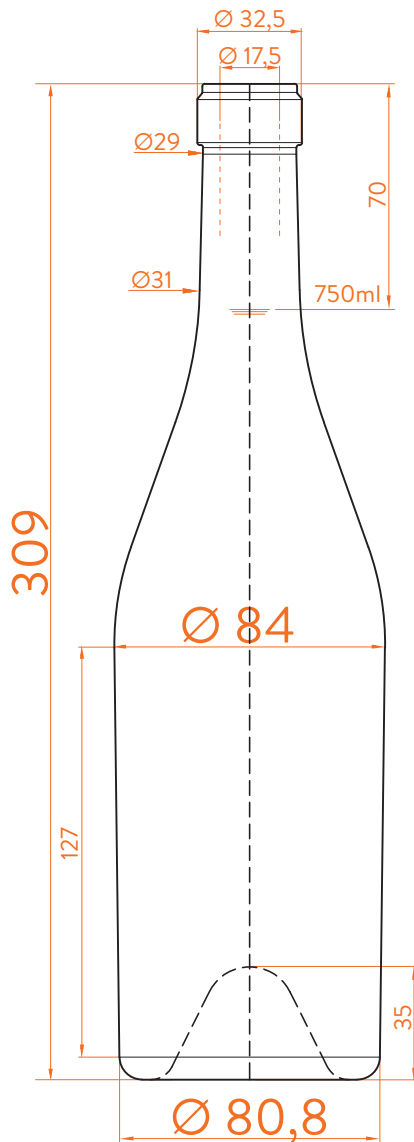


# BG ANTICA LIGHT<sup>®</sup>

estal.

www.estal.com  
+34 972 821 676



Modelo registrado/  
Registered model/  
Modèle enregistré



Carrée



ANTICO



## DATOS TÉCNICOS TECHNICAL DATA DONNÉES TECHNIQUES

**Peso / Weight / Poids**

650g

**Altura total / Total height / Hauteur totale**

309mm

**Diámetro del cuerpo / Body diameter / Diamètre du corps**

80,8/84mm

**Ø interno boca / Ø inner mouth / Ø intérieur bouche**

17,5mm

**Capacidad a verter / Brimfull / Capacité Ras-Bord**

774ml

## 750ml

At first the BG ANTICA LIGHT range is proposed in 750ml.

Following business opportunities, other sizes - from miniature 50ml to big sizes 3L will be added to the range.

The elements detailed in this document are not contractual. They are only indicative.