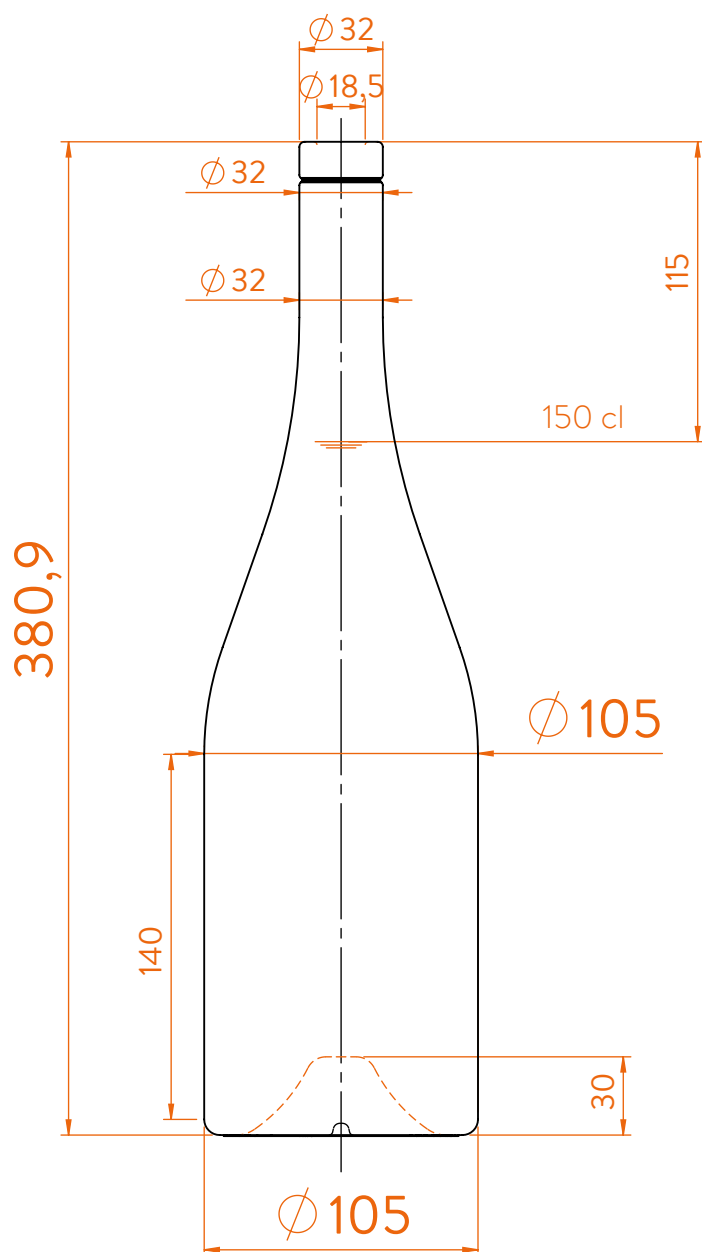


# SM BG MG ESSENTIA<sup>®</sup>

# estal.

www.estal.com  
+ 34 972 821 676



Modelo registrado/  
Registered model/  
Modèle enregistré/



Sommelier Long

- ANTICO
- FLINT
- FLINT WILD GLASS
- DARK WILD GLASS



## DATOS TÉCNICOS TECHNICAL DATA DONNÉES TECHNIQUES

<b>Peso / Weight / Poids</b>	900 gr
<b>Altura total / Total height / Hauteur totale</b>	380,9 mm
<b>Diámetro del cuerpo / Body diameter / Diamètre du corps</b>	105 mm
<b>Ø interno boca / Ø inner mouth / Ø intérieur bouche</b>	18,5 mm
<b>Capacidad a verter / Brimfull / Capacité ras-bord</b>	150 cl

At first the SM BG MG ESSENTIA range is proposed in 150 cl.  
Following business opportunities, other sizes (from miniature 5cl to big size 300cl) will be added to the range.

The elements detailed in this document are not contractual. They are only indicative.