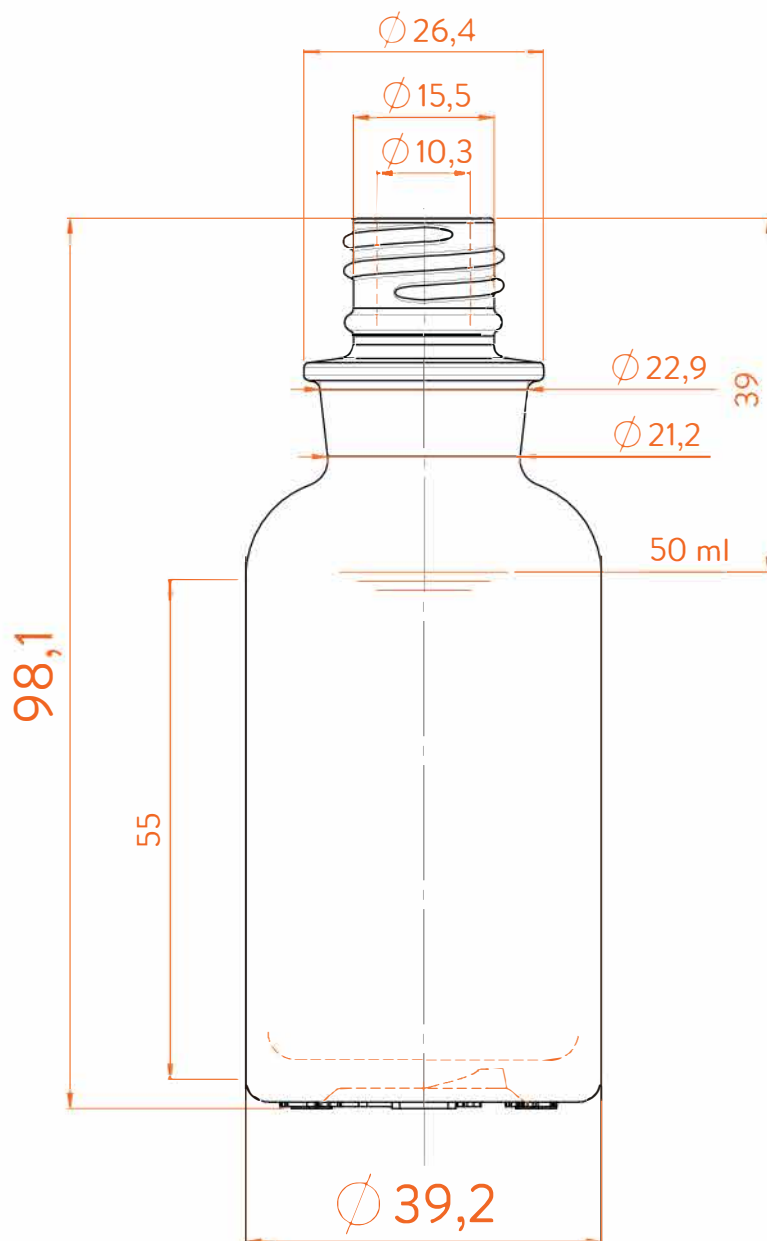


BOTTLE MAGISTER

estal.

www.estal.com

+ 34 972 821 676



Modelo registrado/
Registered model/
Modèle enregistré/



GPI 18/415

- EXTRA FLINT
- BLACK
- AMBER
- WILD FLINT GLASS



DATOS TÉCNICOS TECHNICAL DATA DONNÉES TECHNIQUES

Peso / Weight / Poids	70 gr
Altura total / Total height / Hauteur totale	98,1 mm
Diámetro del cuerpo / Body diameter / Diamètre du corps	39,2 mm
Ø interno boca / Ø inner mouth / Ø intérieur bouche	10,3 mm
Capacidad a verter / Brimfull / Capacité ras-bord	59 ml

50 ml

At first the BOTTLE MAGISTER range is proposed in 50 ml, 100 ml and 200 ml.
Following business opportunities, other sizes will be added to the range.

The elements detailed in this document are not contractual. They are only indicative.