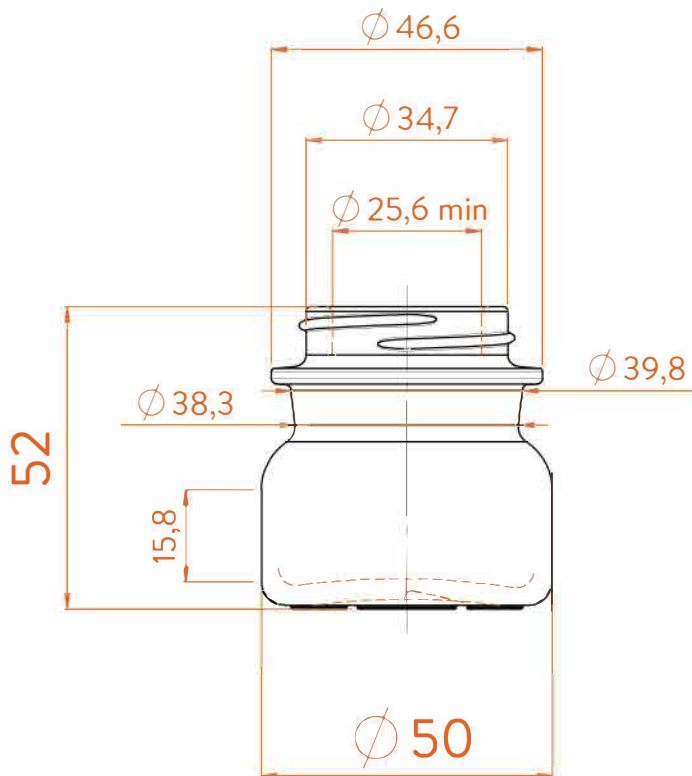
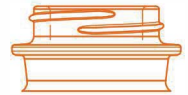


JAR MAGISTER

estal.



Modelo registrado
Registered model
Modèle enregistré



GPI 400/38
TIPO B



DATOS TÉCNICOS TECHNICAL DATA DONNÉES TECHNIQUES

Peso / Weight / Poids	70 gr
Altura total / Total height / Hauteur totale	52 mm
Diámetro del cuerpo / Body diameter / Diamètre du corps	50 mm
Ø interno boca / Ø inner mouth / Ø intérieur bouche	25,6 mm min
Capacidad a verter / Brimfull / Capacité ras-bord	50 ml

50 ml

At first the JAR MAGISTER range is proposed in 30 ml, 50 ml, 100 ml and 200 ml.
Following business opportunities, other sizes will be added to the range.

The elements detailed in this document are not contractual. They are only indicative.