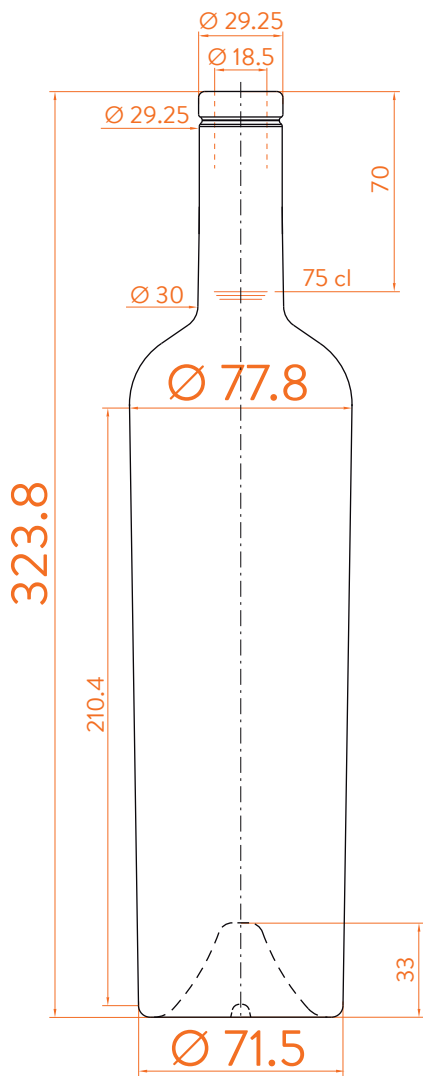


SM BD EMBLEM

estal.

www.estal.com
+34 972 821 676



Modelo registrado/
Registered model/
Modèle enregistré



Sommelier Short



ANTICO



EXTRA FLINT



DATOS TÉCNICOS TECHNICAL DATA DONNÉES TECHNIQUES

Peso / Weight / Poids

750gr

Altura total / Total height / Hauteur totale

323,8 mm

Diámetro del cuerpo / Body diameter / Diamètre du corps

71,5 / 77,8 mm

Ø interno boca / Ø inner mouth / Ø intérieur bouche

18,5 mm

Capacidad a verter / Brimfull / Capacité Ras-Bord

773 ml

75 cl

At first the SM BD EMBLEM range is proposed in 75 cl.

Following business opportunities, other sizes - from miniature 5 cl to big sizes 300 cl will be added to the range.

The elements detailed in this document are not contractual. They are only indicative.