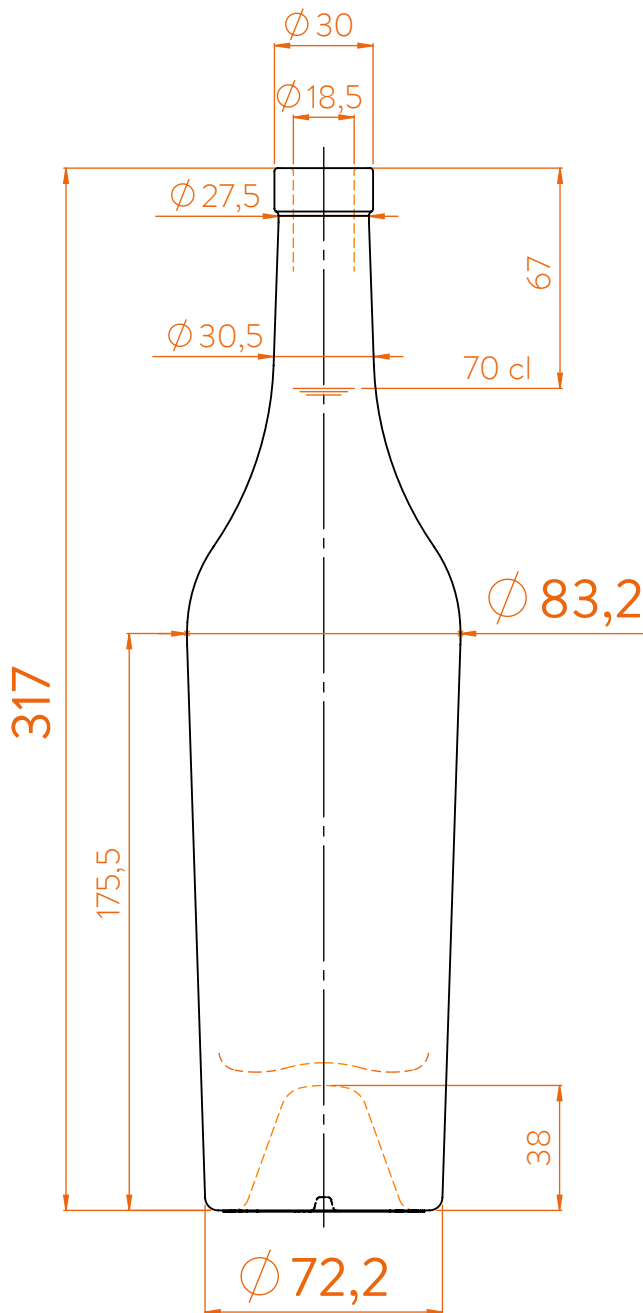


DA ATLAS[®]

estal.

www.estal.com

+ 34 972 821 676



Modelo registrado/
Registered model/
Modèle enregistré/



- EXTRAFLINT
- FLINT WILD GLASS
- DARK WILD GLASS



DATOS TÉCNICOS TECHNICAL DATA DONNÉES TECHNIQUES

Peso / Weight / Poids

800 gr

Altura total / Total height / Hauteur totale

317 mm

Diámetro del cuerpo / Body diameter / Diamètre du corps

72,2/83,2 mm

Ø interno boca / Ø inner mouth / Ø intérieur bouche

18,5 mm

Capacidad a verter / Brimfull / Capacité ras-bord

721 ml

70 cl

At first the DA ATLAS range is proposed in 70/50 cl.

Following business opportunities, other sizes (from miniature 5cl to big size 300cl) will be added to the range.

The elements detailed in this document are not contractual. They are only indicative.