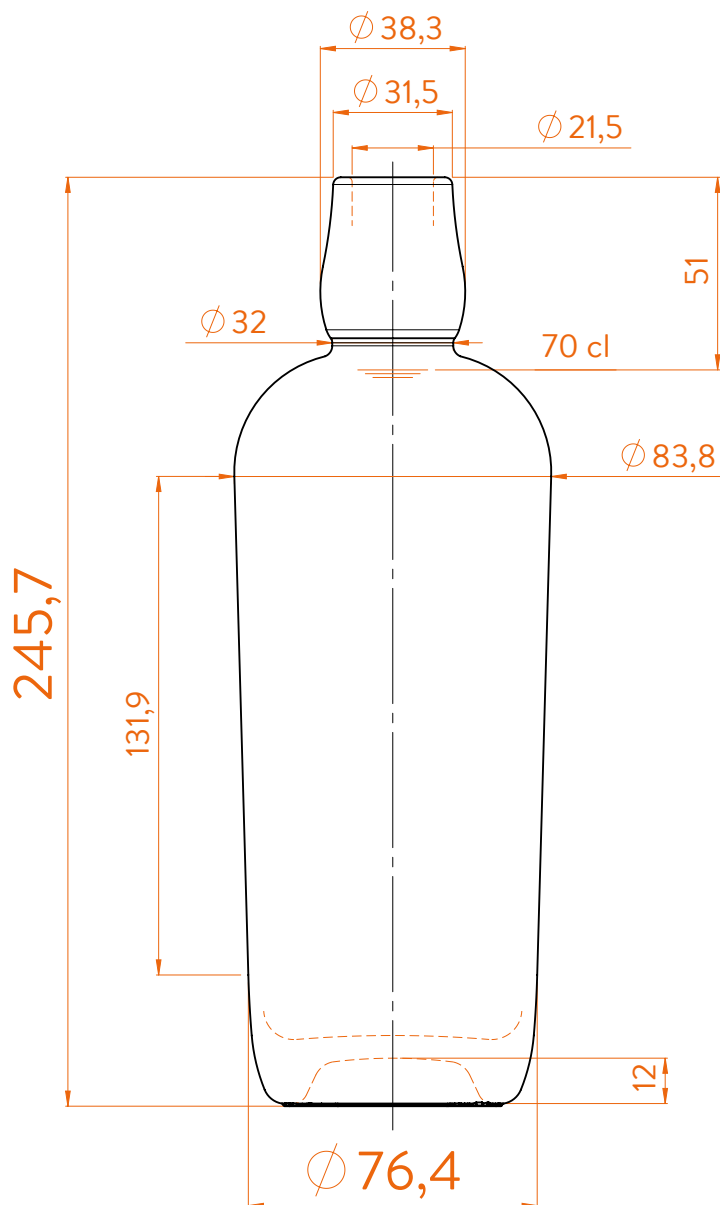


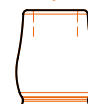
MELEE ©

estal.



www.estal.com
+ 34 972 821 676



Modelo registrado
Registered model
Modèle déposé



Choker Long

-  WILD FLINT GLASS
-  WILD DARK GLASS



DATOS TÉCNICOS TECHNICAL DATA DONNÉES TECHNIQUES

Peso / Weight / Poids

600 gr

Altura total / Total height / Hauteur totale

245,7 mm

Diámetro del cuerpo / Body diameter / Diamètre du corps

76,4 / 83,8 mm

Ø interno boca / Ø inner mouth / Ø intérieur bouche

21,5 mm

Capacidad a verter / Brimfull / Capacité ras-bord

728 ml

70 cl

At first the MELEE range is proposed in 70/75 cl.

Following business opportunities, other sizes (from miniature 5cl to big size 300cl) will be added to the range.

The elements detailed in this document are not contractual. They are only indicative.

www.estal.com