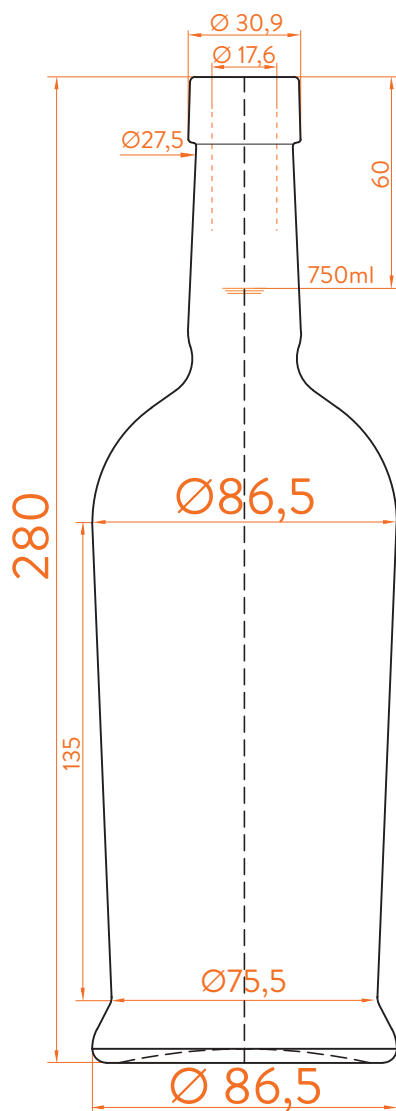


BD MARSALA[®]

estal.

www.estal.com
+34 972 821 676



Modelo registrado/
Registered model/
Modèle enregistré

 Bartop Special

 ANTICO



DATOS TÉCNICOS TECHNICAL DATA DONNÉES TECHNIQUES

Peso / Weight / Poids	600g
Altura total / Total height / Hauteur totale	280mm
Diámetro del cuerpo / Body diameter / Diamètre du corps	86,5mm
Ø interno boca / Ø inner mouth / Ø intérieur bouche	17,6mm
Capacidad a verter / Brimfull / Capacité Ras-Bord	767ml

750ml

At first the BD MARSALA range is proposed in 750ml.
Following business opportunities, other sizes (from miniature 50ml to big sizes 3L) will be added to the range.

The elements detailed in this document are not contractual. They are only indicative.