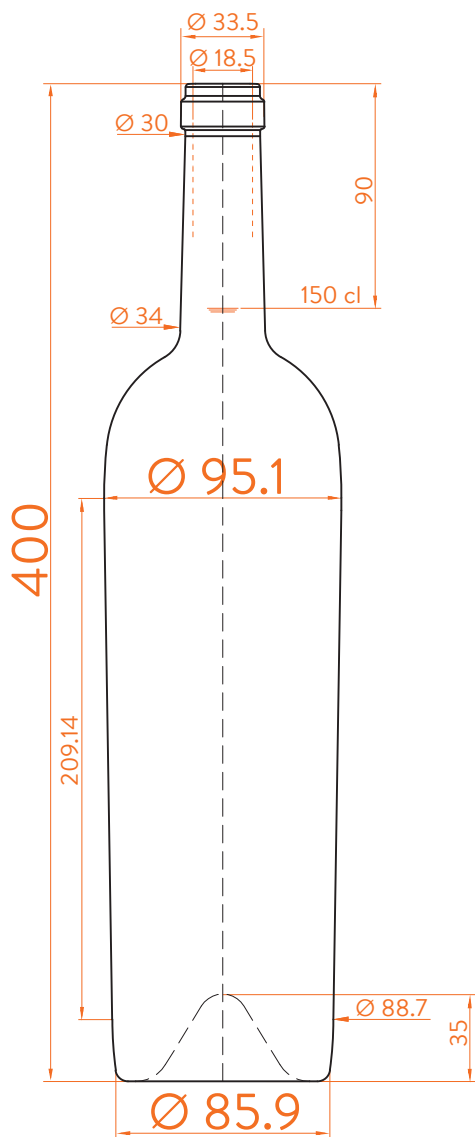


# BD MG CLEOPE®

estal

www.estal.com  
+34 972 821 676



Modelo registrado/  
Registered model/  
Modèle enregistré



Carrée Special

- ANTICO
- FLINT



## DATOS TÉCNICOS TECHNICAL DATA DONNÉES TECHNIQUES

**Peso / Weight / Poids**

150 cl

950 gr

**Altura total / Total height / Hauteur totale**

400 mm

**Diámetro del cuerpo / Body diameter / Diamètre du corps**

85,9 / 95,1 mm

**Ø interno boca / Ø inner mouth / Ø intérieur bouche**

18,5 mm

**Capacidad a verter / Brimfull / Capacité Ras-Bord**

1.536 ml

At first the BD MG CLEOPE range is proposed in 150 cl.  
Following business opportunities, other sizes - from miniature 5 cl to big sizes 300 cl will be added to the range.

The elements detailed in this document are not contractual. They are only indicative.