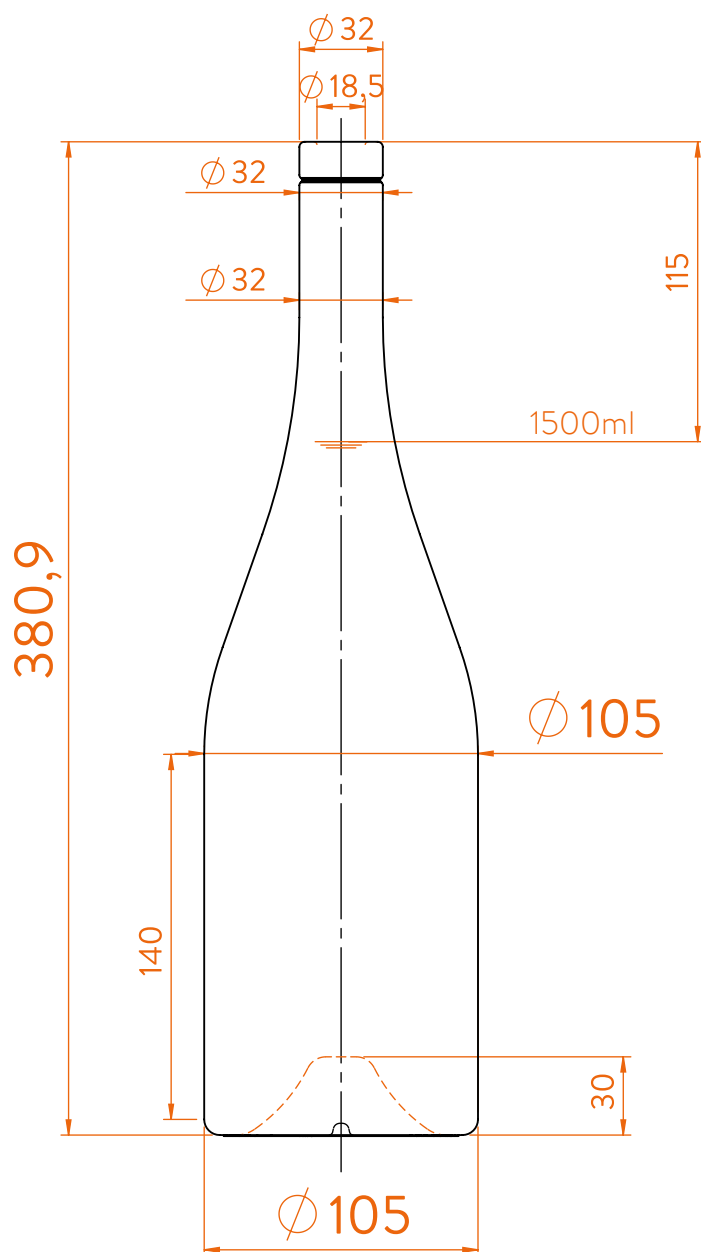


SM BG MG ESSENTIA[®]

estal

www.estal.com
+ 34 972 821 676



Modelo registrado/
Registered model/
Modèle enregistré/



Sommelier Long

- ANTICO
- FLINT
- FLINT WILD GLASS
- DARK WILD GLASS



DATOS TÉCNICOS TECHNICAL DATA DONNÉES TECHNIQUES

Peso / Weight / Poids	900g
Altura total / Total height / Hauteur totale	380,9mm
Diámetro del cuerpo / Body diameter / Diamètre du corps	105mm
Ø interno boca / Ø inner mouth / Ø intérieur bouche	18,5mm
Capacidad a verter / Brimfull / Capacité ras-bord	1545ml

1500ml

At first the SM BG MG ESSENTIA range is proposed in 1500ml.
Following business opportunities, other sizes (from miniature 50ml to big size 3L) will be added to the range.

The elements detailed in this document are not contractual. They are only indicative.