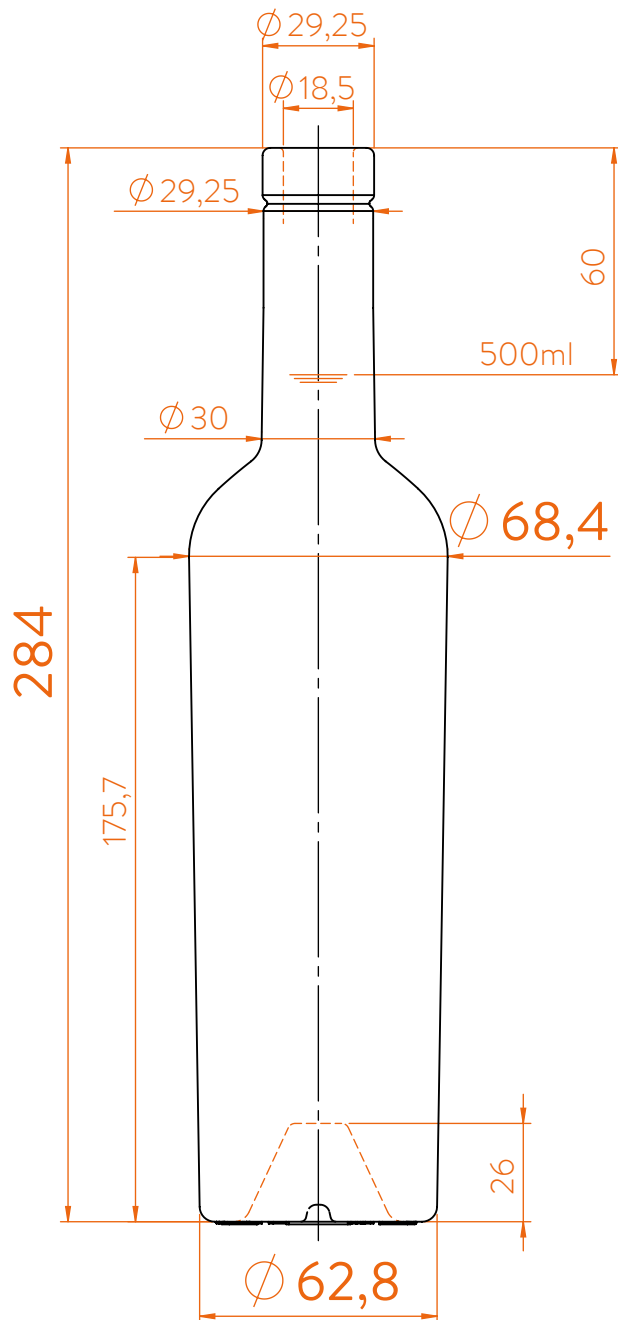


SM EMBLEM ECO[®]

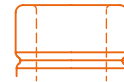
estal

www.estal.com

+ 34 972 821 676



Modelo registrado/
Registered model/
Modèle enregistré/



Sommelier Long

- ANTICO
- EXTRA FLINT
- FLINT WILD GLASS



DATOS TÉCNICOS TECHNICAL DATA DONNÉES TECHNIQUES

Peso / Weight / Poids	450g
Altura total / Total height / Hauteur totale	284mm
Diámetro del cuerpo / Body diameter / Diamètre du corps	62,8 / 68,4mm
Ø interno boca / Ø inner mouth / Ø intérieur bouche	18,5mm
Capacidad a verter / Brimfull / Capacité ras-bord	518ml

500ml

At first the SM EMBLEM ECO range is proposed in 375/500/750ml.
Following business opportunities, other sizes (from miniature 50ml to big size 3L) will be added to the range.

The elements detailed in this document are not contractual. They are only indicative.