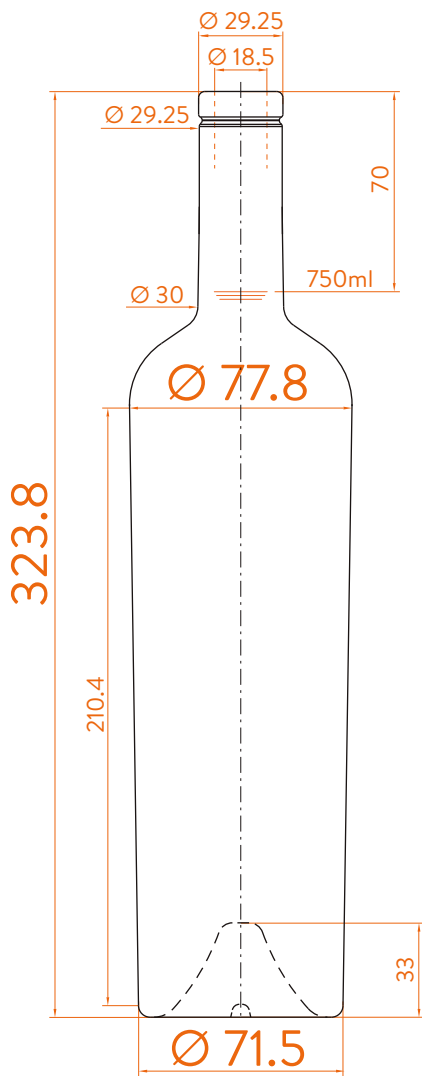


# SM BD EMBLEM

estal

www.estal.com  
+34 972 821 676



Modelo registrado/  
Registered model/  
Modèle enregistré



Sommelier Short



ANTICO



FLINT



## DATOS TÉCNICOS TECHNICAL DATA DONNÉES TECHNIQUES

**Peso / Weight / Poids**

750g

**Altura total / Total height / Hauteur totale**

323,8mm

**Diámetro del cuerpo / Body diameter / Diamètre du corps**

71,5 / 77,8mm

**Ø interno boca / Ø inner mouth / Ø intérieur bouche**

18,5mm

**Capacidad a verter / Brimfull / Capacité Ras-Bord**

773ml

## 750ml

At first the SM BD EMBLEM range is proposed in 750ml.

Following business opportunities, other sizes (from miniature 50ml to big sizes 3L) will be added to the range.

The elements detailed in this document are not contractual. They are only indicative.