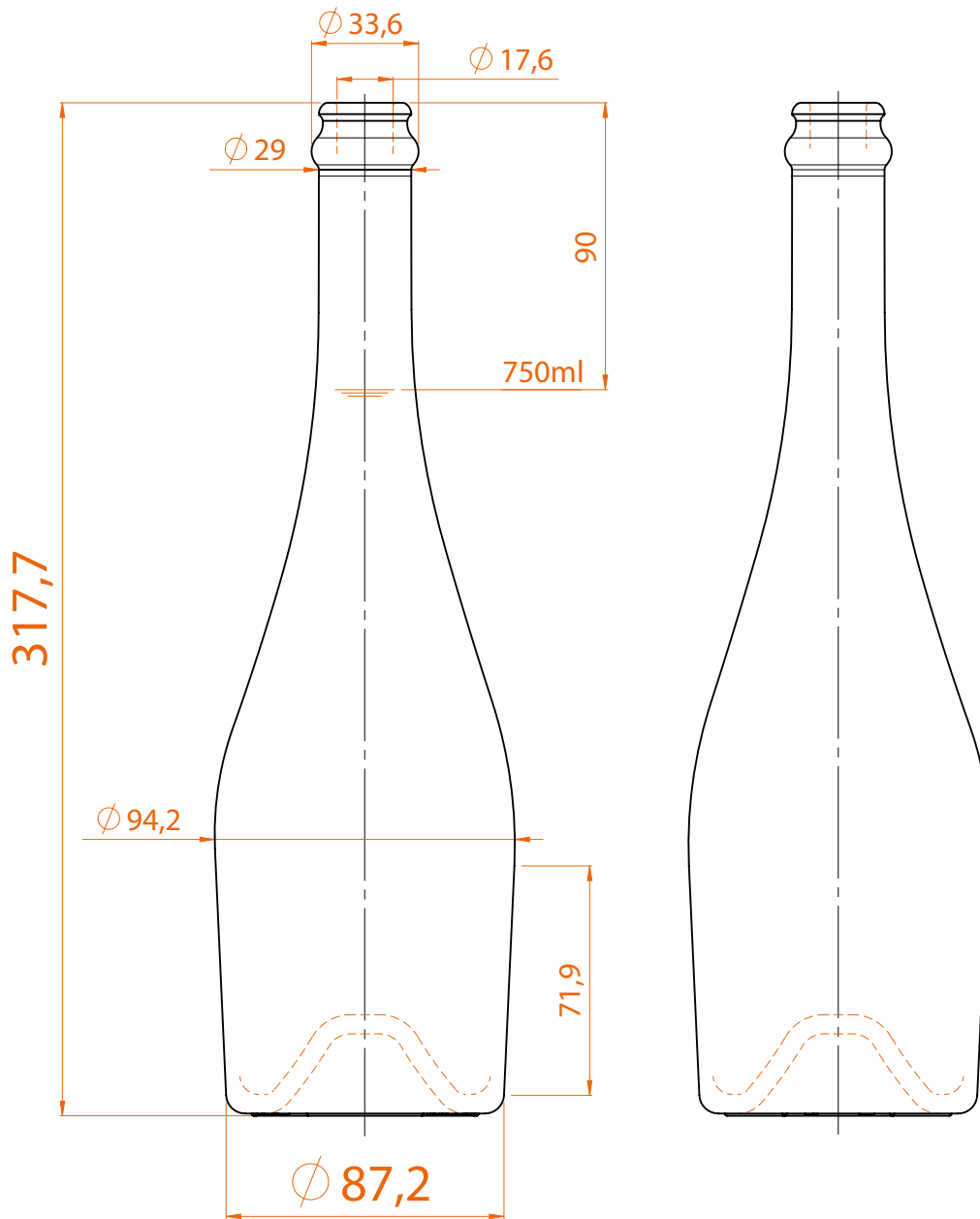


# PRIMA S<sup>®</sup>

estal

www.estal.com

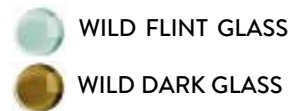
+ 34 972 821 676



Modelo registrado  
Registered model  
Modèle déposé



Corona 29 Heritage



## DATOS TÉCNICOS TECHNICAL DATA DONNÉES TECHNIQUES

Peso / Weight / Poids

Altura total / Total height / Hauteur totale

Diámetro del cuerpo / Body diameter / Diamètre du corps

Ø interno boca / Ø inner mouth / Ø intérieur bouche

Capacidad a verter / Brimfull / Capacité ras-bord

750ml

750g

317,7mm

87,2 / 94,2mm

17,6mm

775ml

*At first the PRIMA S range is proposed in 750ml.*

*Following business opportunities, other sizes (from miniature 50ml to big size 3L) will be added to the range.*

The elements detailed in this document are not contractual. They are only indicative.

www.estal.com