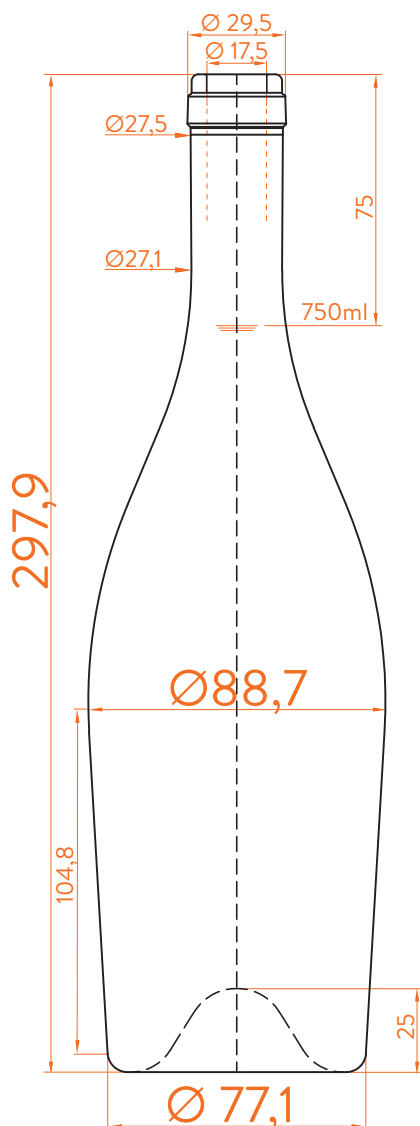


# BG RUBATO®

estal

www.estal.com  
+34 972 821 676



Modelo registrado/  
Registered model/  
Modèle enregistré



Cetie



ANTICO



## DATOS TÉCNICOS TECHNICAL DATA DONNÉES TECHNIQUES

**Peso / Weight / Poids**

600g

**Altura total / Total height / Hauteur totale**

297,9mm

**Diámetro del cuerpo / Body diameter / Diamètre du corps**

77,1/88,7mm

**Ø interno boca / Ø inner mouth / Ø intérieur bouche**

17,5mm

**Capacidad a verter / Brimfull / Capacité Ras-Bord**

770ml

## 750ml

At first the BG RUBATO range is proposed in 750ml.

Following business opportunities, other sizes - from miniature 50ml to big sizes 3L will be added to the range.

The elements detailed in this document are not contractual. They are only indicative.