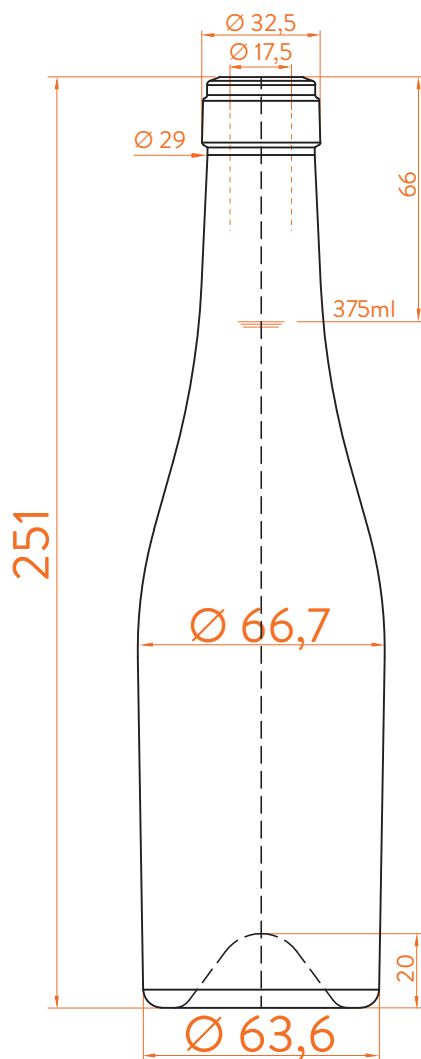


BG ANTICA®

estal

www.estal.com
+34 972 821 676



Modelo registrado/
Registered model/
Modèle enregistré



Carrée Special



ANTICO



DATOS TÉCNICOS TECHNICAL DATA DONNÉES TECHNIQUES

Peso / Weight / Poids

400g

Altura total / Total height / Hauteur totale

251mm

Diámetro del cuerpo / Body diameter / Diamètre du corps

63,6/66,7mm

Ø interno boca / Ø inner mouth / Ø intérieur bouche

17,5mm

Capacidad a verter / Brimfull / Capacité Ras-Bord

397ml

375ml

At first the BG ANTICA range is proposed in 375, 500 and 750ml.

Following business opportunities, other sizes - from miniature 50ml to big sizes 3L will be added to the range.

The elements detailed in this document are not contractual. They are only indicative.