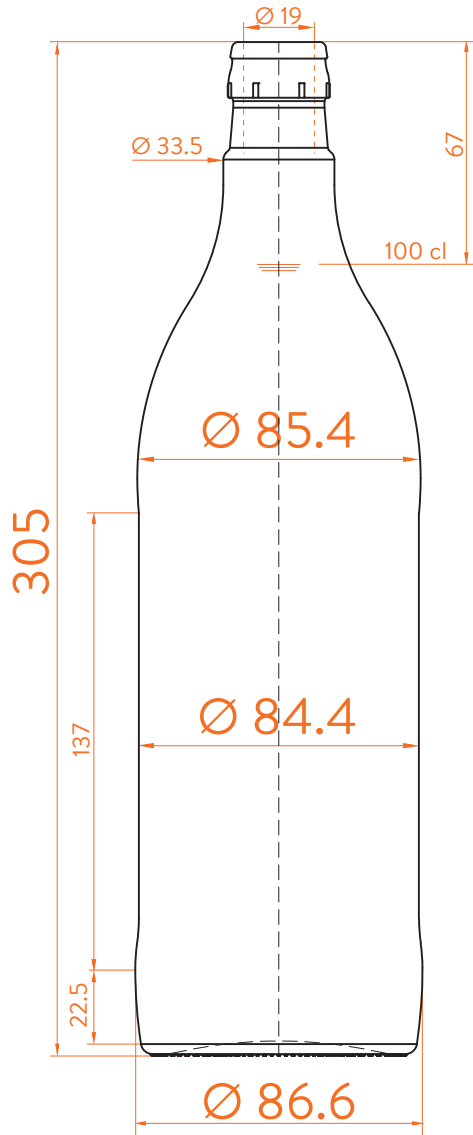


VERMOUTH®

estal

www.estal.com
+34 972 821 676



Modelo registrado/
Registered model/
Modèle enregistré



Guala

FLINT



DATOS TÉCNICOS TECHNICAL DATA DONNÉES TECHNIQUES

Peso / Weight / Poids

Altura total / Total height / Hauteur totale

Diámetro del cuerpo / Body diameter / Diamètre du corps

Ø interno boca / Ø inner mouth / Ø intérieur bouche

Capacidad a verter / Brimfull / Capacité Ras-Bord

100 cl

630 gr

305 mm

86,6 / 85,4 mm

19 mm

1.028 ml

At first the VERMOUTH range is proposed in 100 cl.
Following business opportunities, other sizes - from miniature 5 cl to big sizes 300 cl will be added to the range.

The elements detailed in this document are not contractual. They are only indicative.