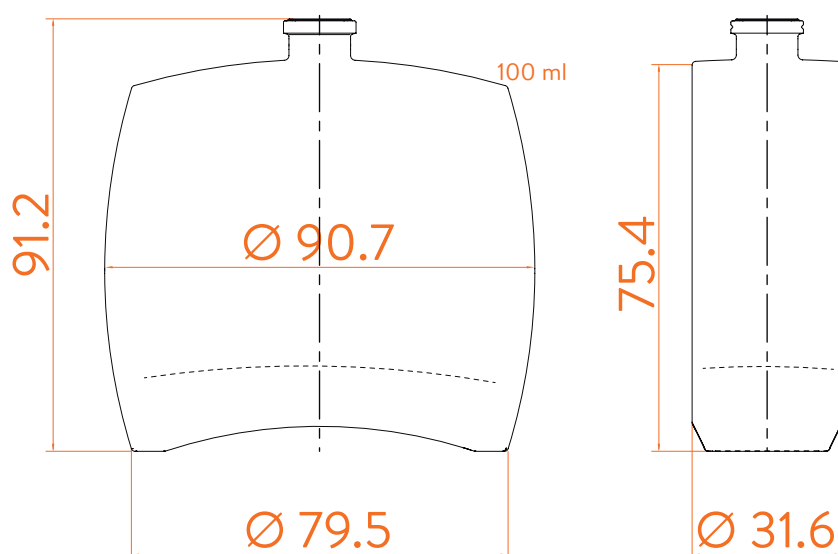


Modelo registrado/  
Registered model/  
Modèle enregistré

 FEA 15

 EXTRA FLINT



## DATOS TÉCNICOS TECHNICAL DATA DONNÉES TECHNIQUES

**Peso / Weight / Poids**

**Altura total / Total height / Hauteur totale**

**Diámetro del cuerpo / Body diameter / Diamètre du corps**

**Ø interno boca / Ø inner mouth / Ø intérieur bouche**

**Capacidad a verter / Brimfull / Capacité Ras-Bord**

## 100 ml

220 gr

91,2 mm

79,5 / 90,7 / 31,6 mm

-- mm

108 ml

At first the KIVU range is proposed in 100 ml.

Following business opportunities, other sizes - from miniature 5 cl to big sizes 300 cl will be added to the range.