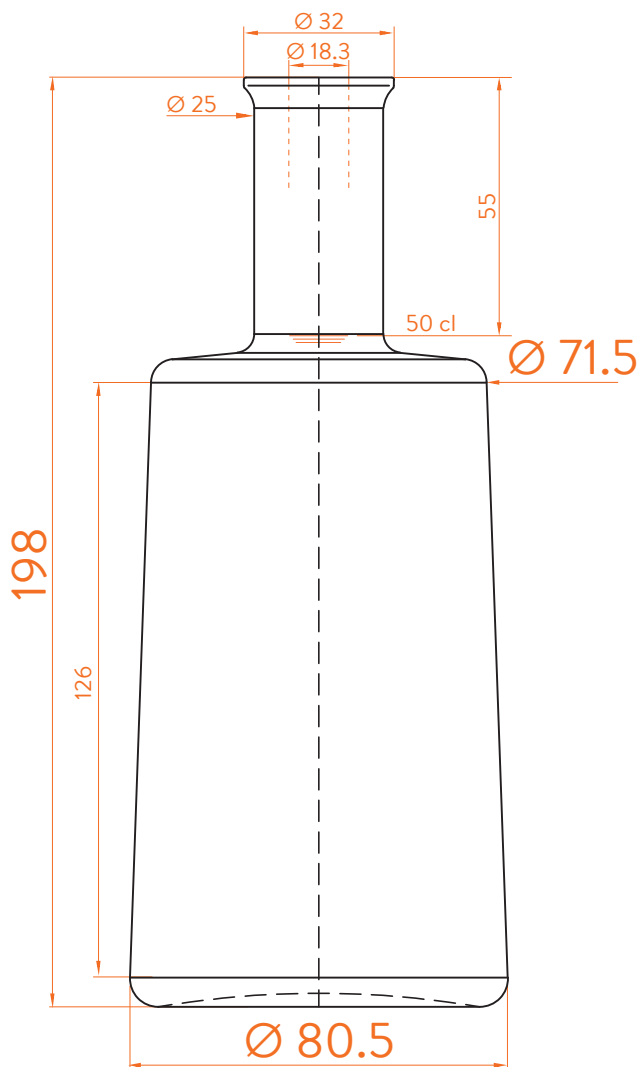


ODESSA INFUSI[®]

estal

www.estal.com
+34 972 821 676



Modelo registrado/
Registered model/
Modèle enregistré

 Special

 ANTICO



DATOS TÉCNICOS TECHNICAL DATA DONNÉES TECHNIQUES

Peso / Weight / Poids

50 cl

350 gr

Altura total / Total height / Hauteur totale

198 mm

Diámetro del cuerpo / Body diameter / Diamètre du corps

80,5 / 71,5 mm

Ø interno boca / Ø inner mouth / Ø intérieur bouche

18,3 mm

Capacidad a verter / Brimfull / Capacité Ras-Bord

520 ml

At first the ODESSA INFUSI range is proposed in 50 cl.
Following business opportunities, other sizes - from miniature 5 cl to big sizes 300 cl will be added to the range.

The elements detailed in this document are not contractual. They are only indicative.