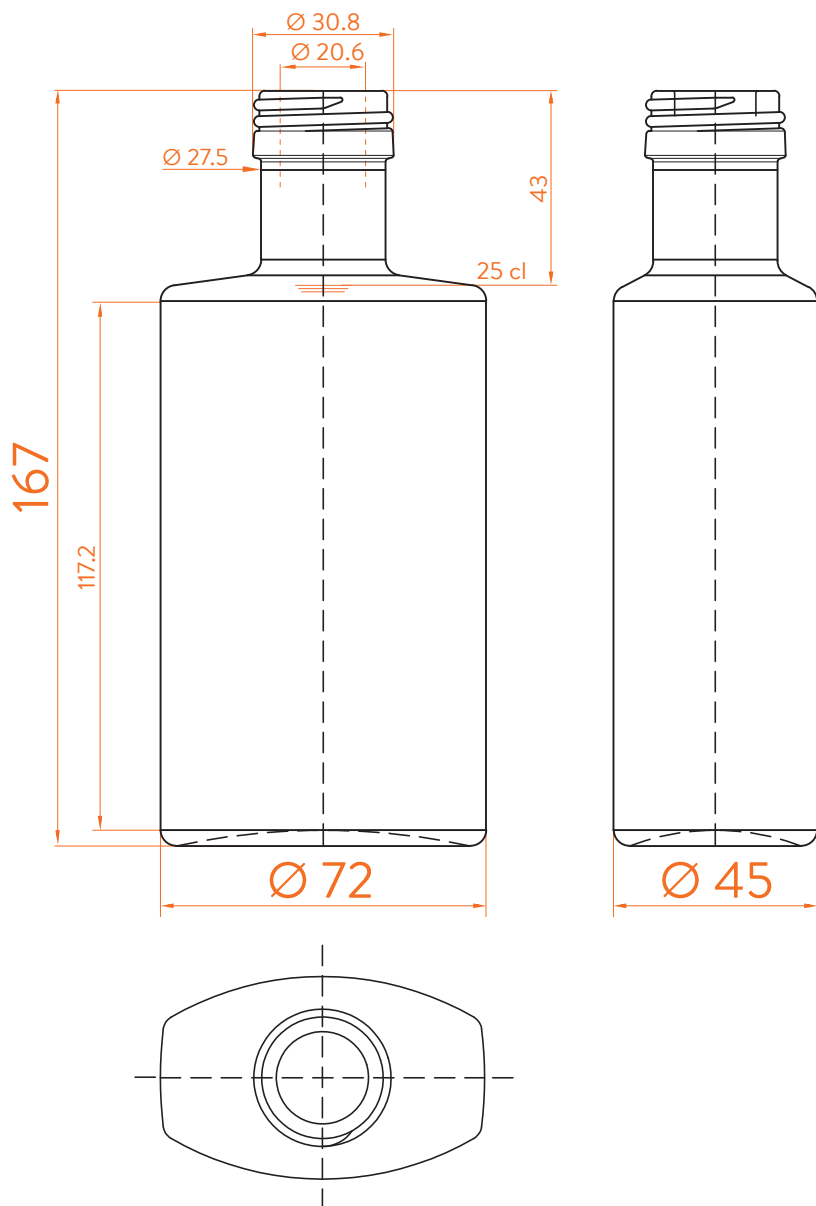


# MAGNOLIA®

estal

www.estal.com  
+34 972 821 676



Modelo registrado/  
Registered model/  
Modèle enregistré



## DATOS TÉCNICOS TECHNICAL DATA DONNÉES TECHNIQUES

<b>Peso / Weight / Poids</b>	250 gr
<b>Altura total / Total height / Hauteur totale</b>	167 mm
<b>Diámetro del cuerpo / Body diameter / Diamètre du corps</b>	72 mm
<b>Ø interno boca / Ø inner mouth / Ø intérieur bouche</b>	20,6 mm
<b>Capacidad a verter / Brimfull / Capacité Ras-Bord</b>	265 ml

25 cl

At first the MAGNOLIA range is proposed in 25 cl.  
Following business opportunities, other sizes - from miniature 5 cl to big sizes 300 cl will be added to the range.

The elements detailed in this document are not contractual. They are only indicative.