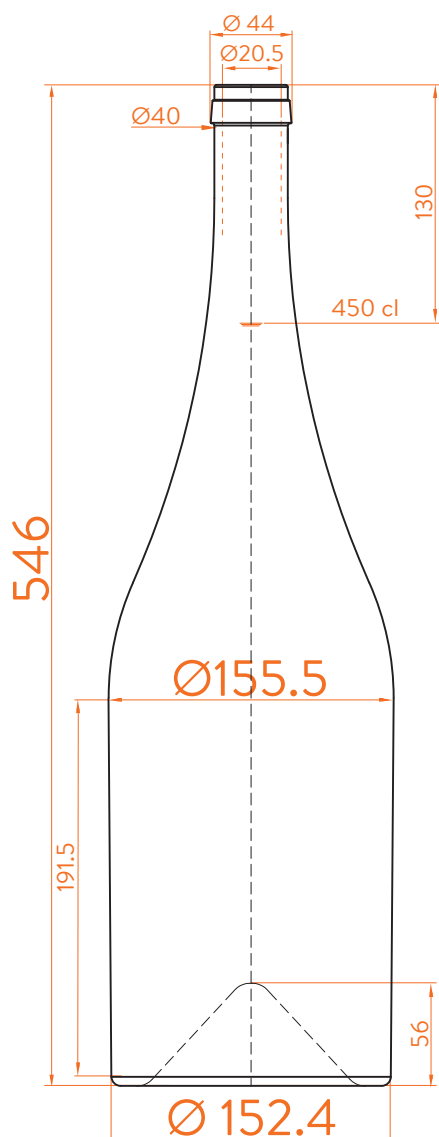


# REHOBOAM<sup>®</sup>

estal

www.estal.com  
+34 972 821 676



Modelo registrado/  
Registered model/  
Modèle enregistré



Carrée Special



ANTICO



## DATOS TÉCNICOS TECHNICAL DATA DONNÉES TECHNIQUES

Peso / Weight / Poids

4,5 L

4.000 gr

Altura total / Total height / Hauteur totale

546 mm

Diámetro del cuerpo / Body diameter / Diamètre du corps

152,4 / 155,5 mm

Ø interno boca / Ø inner mouth / Ø intérieur bouche

21,5 mm

Capacidad a verter / Brimfull / Capacité Ras-Bord

4.568 ml

At first the REHOBOAM range is proposed in 450 cl.  
Following business opportunities, other sizes - from miniature 5 cl to big sizes 300 cl will be added to the range.

The elements detailed in this document are not contractual. They are only indicative.