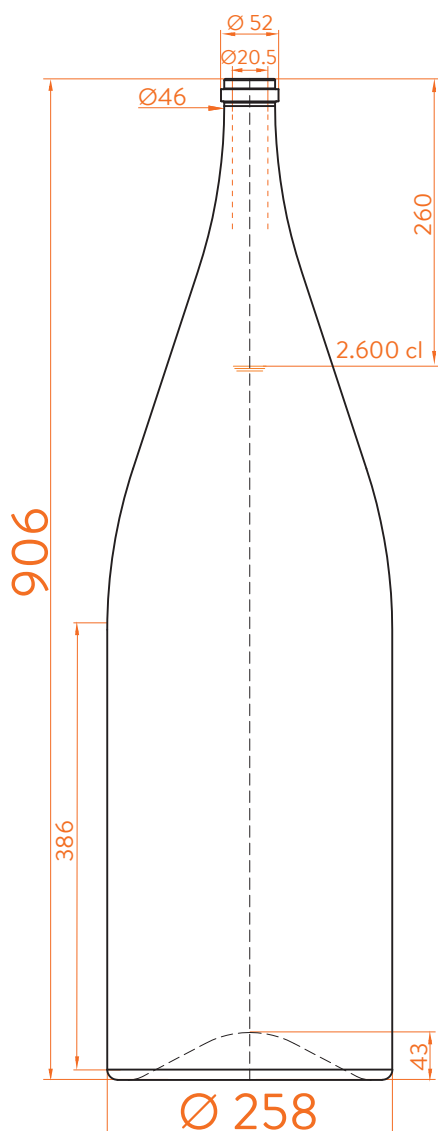


PRIMATO[®]

estal

www.estal.com
+34 972 821 676



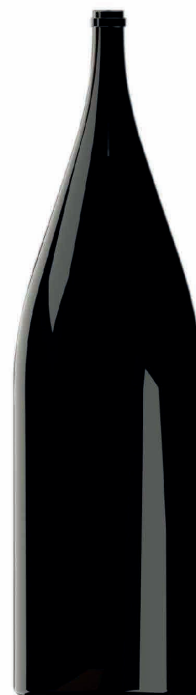
Modelo registrado/
Registered model/
Modèle enregistré



Carrée Special



ANTICO



DATOS TÉCNICOS TECHNICAL DATA DONNÉES TECHNIQUES

Peso / Weight / Poids	11.000 gr
Altura total / Total height / Hauteur totale	906 mm
Diámetro del cuerpo / Body diameter / Diamètre du corps	258 mm
Ø interno boca / Ø inner mouth / Ø intérieur bouche	20,5 mm
Capacidad a verter / Brimfull / Capacité Ras-Bord	26.500 ml

26 L

At first the PRIMATO range is proposed in 2.600 cl.
Following business opportunities, other sizes - from miniature 5 cl to big sizes 300 cl will be added to the range.

The elements detailed in this document are not contractual. They are only indicative.