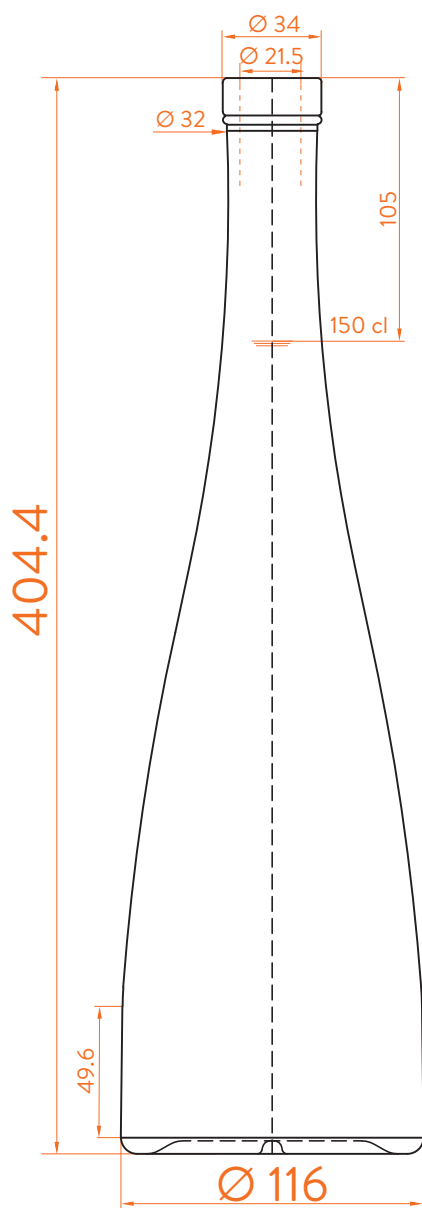


# RH MG TOBBO

estal

www.estal.com  
+34 972 821 676



Modelo registrado/  
Registered model/  
Modèle enregistré



- FLINT
- ANTICO



## DATOS TÉCNICOS TECHNICAL DATA DONNÉES TECHNIQUES

<b>Peso / Weight / Poids</b>	1.000 gr
<b>Altura total / Total height / Hauteur totale</b>	404,4 mm
<b>Diámetro del cuerpo / Body diameter / Diamètre du corps</b>	116 mm
<b>Ø interno boca / Ø inner mouth / Ø intérieur bouche</b>	21,5 mm
<b>Capacidad a verter / Brimfull / Capacité Ras-Bord</b>	1545 ml

**150 cl**

At first the TOBBO range is proposed in 50, 70, 75 and 150 cl.  
Following business opportunities, other sizes - from miniature 5 cl to big sizes 300 cl will be added to the range.

The elements detailed in this document are not contractual. They are only indicative.