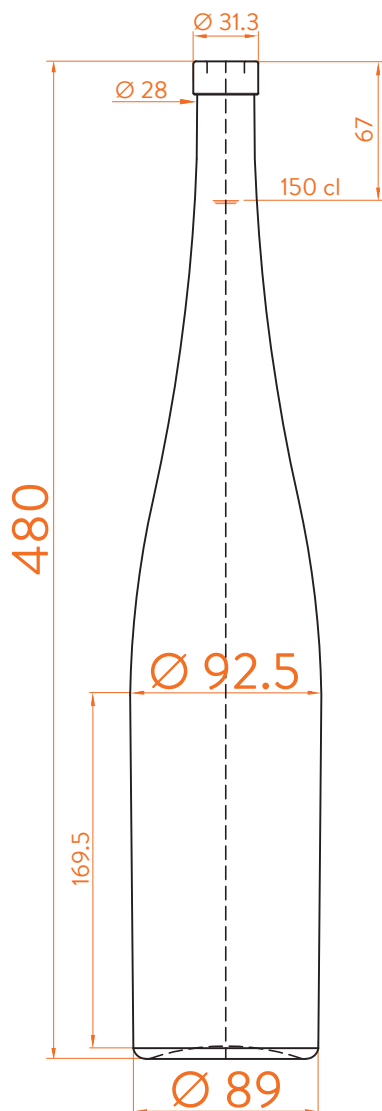


# RH MG FLUTE®

estal

www.estal.com  
+34 972 821 676



Modelo registrado/  
Registered model/  
Modèle enregistré



Bartop



ANTICO



## DATOS TÉCNICOS TECHNICAL DATA DONNÉES TECHNIQUES

**Peso / Weight / Poids**

1.200 gr

**Altura total / Total height / Hauteur totale**

480 mm

**Diámetro del cuerpo / Body diameter / Diamètre du corps**

89 / 92,5 mm

**Ø interno boca / Ø inner mouth / Ø intérieur bouche**

-- mm

**Capacidad a verter / Brimfull / Capacité Ras-Bord**

1.535 ml

## 150 cl

At first the RH MG FLUTE range is proposed in 150 cl.  
Following business opportunities, other sizes - from miniature 5 cl to big sizes 300 cl will be added to the range.

The elements detailed in this document are not contractual. They are only indicative.