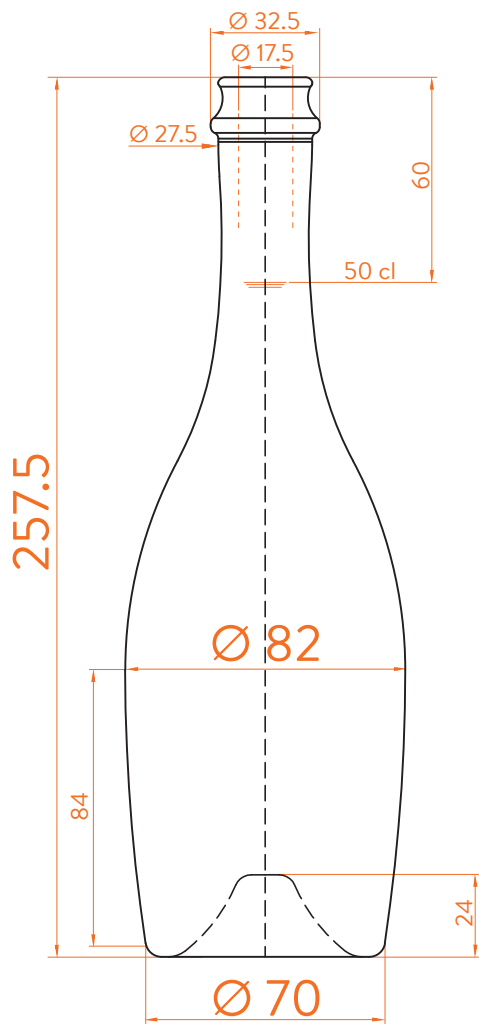


# SP COLLIO LIGHT®

estal

www.estal.com  
+34 972 821 676



Modelo registrado/  
Registered model/  
Modèle enregistré



Corona



ANTICO



## DATOS TÉCNICOS TECHNICAL DATA DONNÉES TECHNIQUES

Peso / Weight / Poids

Altura total / Total height / Hauteur totale

Diámetro del cuerpo / Body diameter / Diamètre du corps

Ø interno boca / Ø inner mouth / Ø intérieur bouche

Capacidad a verter / Brimfull / Capacité Ras-Bord

50 cl

500 gr

257,5 mm

70 / 82 mm

17,5 mm

515 ml

At first the SP COLLIO LIGHT range is proposed in 37.5, 50 and 75 cl.  
Following business opportunities, other sizes - from miniature 5 cl to big sizes 300 cl will be added to the range.

The elements detailed in this document are not contractual. They are only indicative.