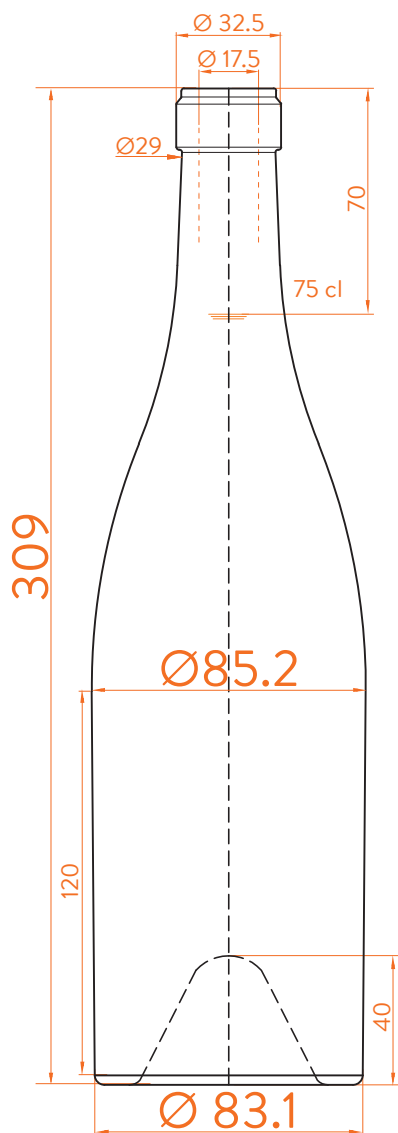


BG ANTICA®

estal

www.estal.com
+34 972 821 676



Modelo registrado/
Registered model/
Modèle enregistré



Carrée



ANTICO



DATOS TÉCNICOS TECHNICAL DATA DONNÉES TECHNIQUES

Peso / Weight / Poids

750 gr

Altura total / Total height / Hauteur totale

309 mm

Diámetro del cuerpo / Body diameter / Diamètre du corps

83,1 / 85,2 mm

Ø interno boca / Ø inner mouth / Ø intérieur bouche

17,5 mm

Capacidad a verter / Brimfull / Capacité Ras-Bord

772 ml

75 cl

At first the BG ANTICA range is proposed in 75 cl.
Following business opportunities, other sizes - from miniature 5 cl to big sizes 300 cl will be added to the range.

The elements detailed in this document are not contractual. They are only indicative.