

DECANTER CLAUDIA[®]

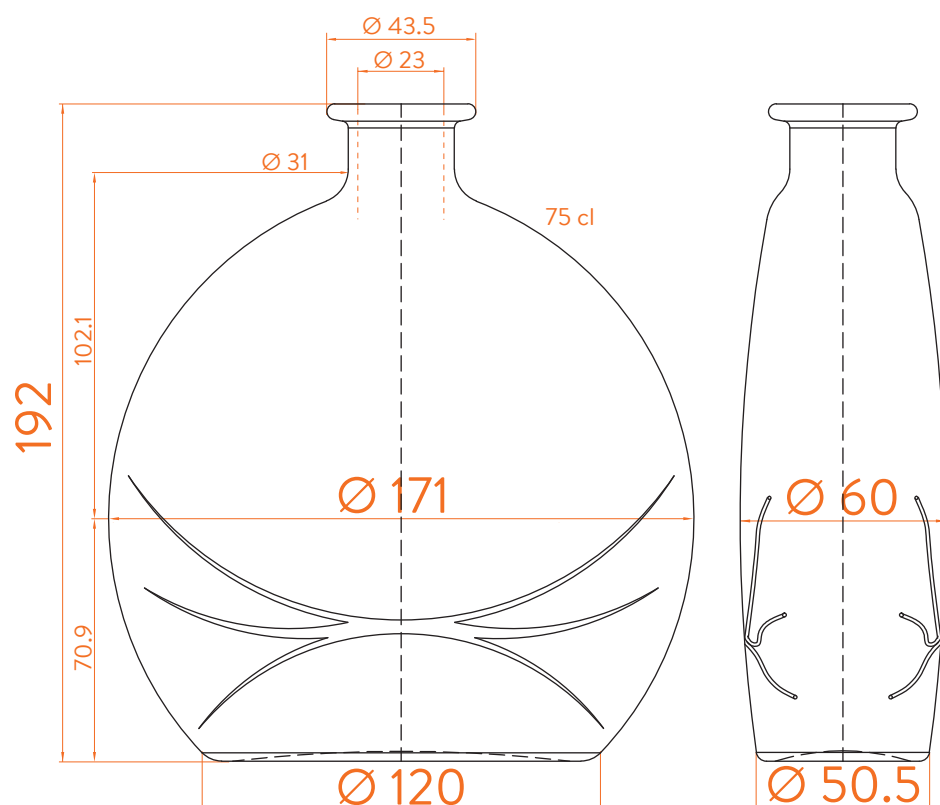
estal

www.estal.com
+34 972 821 676

Modelo registrado/
Registered model/
Modèle enregistré

 Cork Special

 EXTRA FLINT



DATOS TÉCNICOS TECHNICAL DATA DONNÉES TECHNIQUES

Peso / Weight / Poids

75 cl

785 gr

Altura total / Total height / Hauteur totale

192 mm

Diámetro del cuerpo / Body diameter / Diamètre du corps

120 / 171 mm

Ø interno boca / Ø inner mouth / Ø intérieur bouche

23 mm

Capacidad a verter / Brimfull / Capacité Ras-Bord

785 ml

At first the DECANTER CLAUDIA range is proposed in 75 cl.
Following business opportunities, other sizes - from miniature 5 cl to big sizes 300 cl will be added to the range.

The elements detailed in this document are not contractual. They are only indicative.