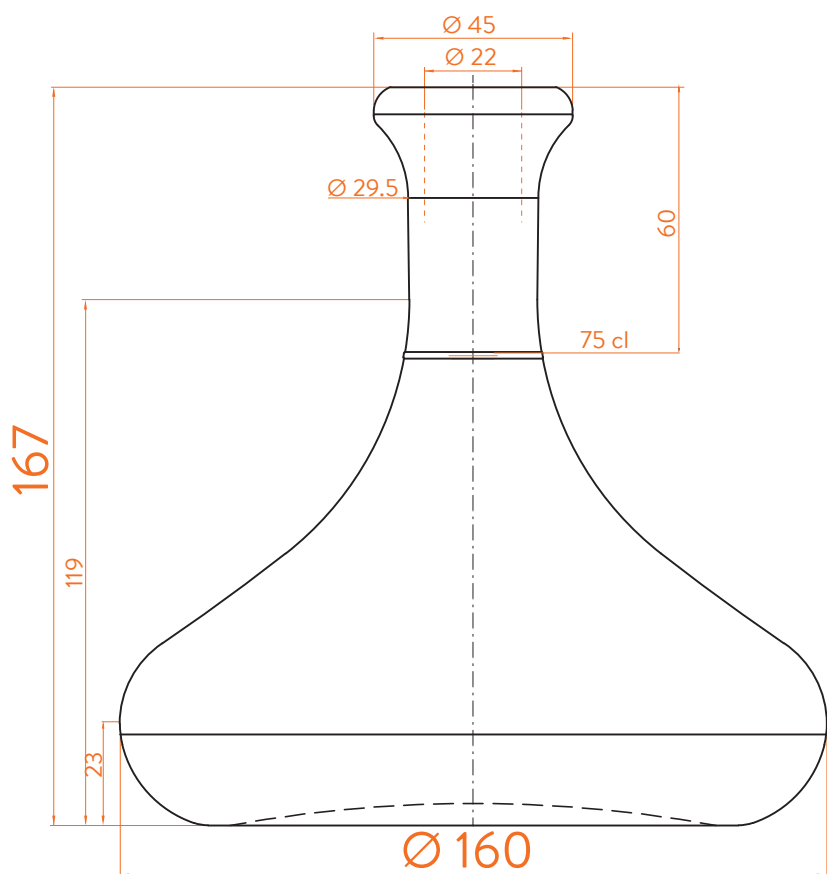


DECANTER ESTAL[®]

estal

www.estal.com
+34 972 821 676



Modelo registrado/
Registered model/
Modèle enregistré

 Cork Special

 EXTRA FLINT



DATOS TÉCNICOS TECHNICAL DATA DONNÉES TECHNIQUES

Peso / Weight / Poids	750 gr
Altura total / Total height / Hauteur totale	167 mm
Diámetro del cuerpo / Body diameter / Diamètre du corps	160 mm
Ø interno boca / Ø inner mouth / Ø intérieur bouche	22 mm
Capacidad a verter / Brimfull / Capacité Ras-Bord	772 ml

75 cl

At first the DECANTER ESTAL range is proposed in 75 cl.
Following business opportunities, other sizes - from miniature 5 cl to big sizes 300 cl will be added to the range.

The elements detailed in this document are not contractual. They are only indicative.