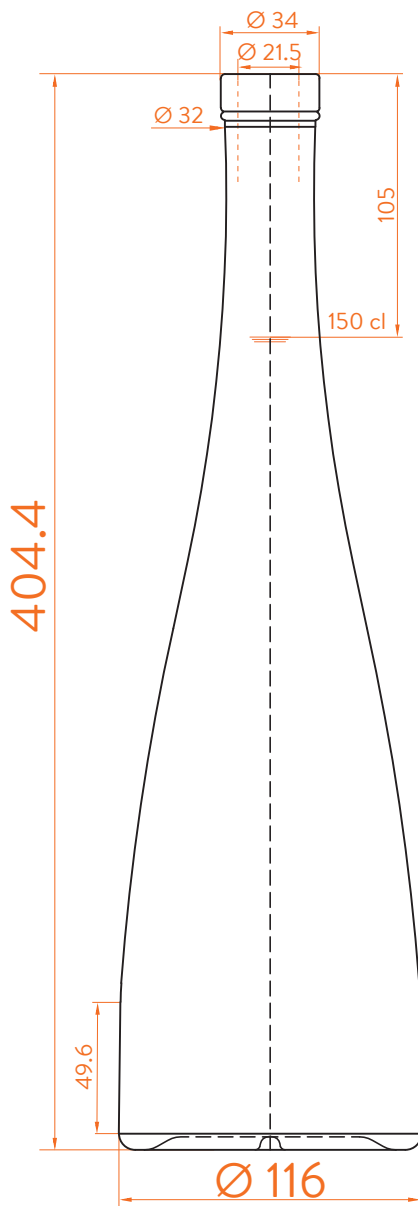


TOBBO®

estal

www.estal.com
+34 972 821 676



Modelo registrado/
Registered model/
Modèle enregistré



- FLINT
- ANTICO



DATOS TÉCNICOS TECHNICAL DATA DONNÉES TECHNIQUES

| | |
|--|----------|
| Peso / Weight / Poids | 1.000 gr |
| Altura total / Total height / Hauteur totale | 404,4 mm |
| Diámetro del cuerpo / Body diameter / Diamètre du corps | 116 mm |
| Ø interno boca / Ø inner mouth / Ø intérieur bouche | 21,5 mm |
| Capacidad a verter / Brimfull / Capacité Ras-Bord | 1545 ml |

150 cl

At first the TOBBO range is proposed in 50, 70, 75 and 150 cl.
Following business opportunities, other sizes - from miniature 5 cl to big sizes 300 cl will be added to the range.

The elements detailed in this document are not contractual. They are only indicative.