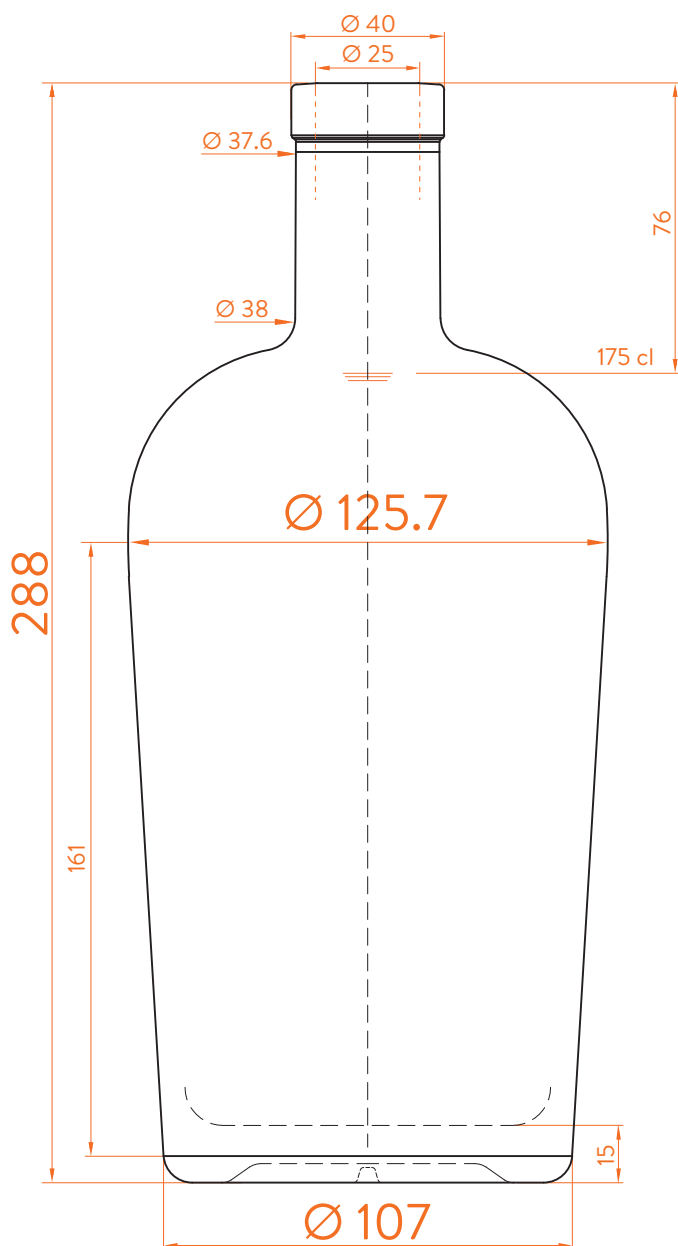


TEO[®]





estal

www.estal.com
+34 972 821 676



Modelo registrado/
Registered model/
Modèle enregistré

 Bartop

-  EXTRA FLINT
-  BLACK
-  DARK WILD GLASS
-  FLINT WILD GLASS



DATOS TÉCNICOS TECHNICAL DATA DONNÉES TECHNIQUES

Peso / Weight / Poids	1.300 gr
Altura total / Total height / Hauteur totale	288 mm
Diámetro del cuerpo / Body diameter / Diamètre du corps	107 / 125,7 mm
Ø interno boca / Ø inner mouth / Ø intérieur bouche	25 mm
Capacidad a verter / Brimfull / Capacité Ras-Bord	1.810 ml

175 cl

At first the TEO range is proposed in 5, 70, 75, 100, 150, 175 and 300 cl.
Following business opportunities, other sizes - from miniature 5 cl to big sizes 300 cl will be added to the range.

The elements detailed in this document are not contractual. They are only indicative.