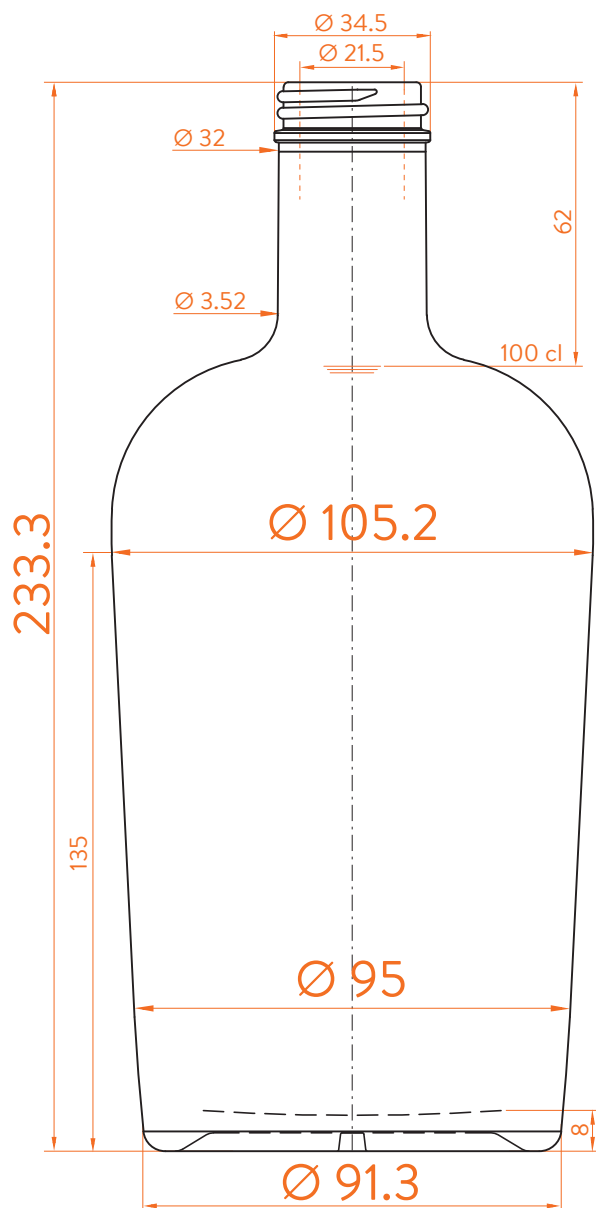


# TEO<sup>®</sup>

# estal



www.estal.com  
+34 972 821 676



Modelo registrado/  
Registered model/  
Modèle enregistré



GPI

-  EXTRA FLINT
-  BLACK



## DATOS TÉCNICOS TECHNICAL DATA DONNÉES TECHNIQUES

**Peso / Weight / Poids**

750 gr

**Altura total / Total height / Hauteur totale**

233,3 mm

**Diámetro del cuerpo / Body diameter / Diamètre du corps**

91,3 / 105,2 mm

**Ø interno boca / Ø inner mouth / Ø intérieur bouche**

21,5 mm

**Capacidad a verter / Brimfull / Capacité Ras-Bord**

1.030 ml

## 100 cl

At first the TEO range is proposed in 5, 70, 75, 100, 150, 175 and 300 cl.  
Following business opportunities, other sizes - from miniature 5 cl to big sizes 300 cl will be added to the range.

The elements detailed in this document are not contractual. They are only indicative.