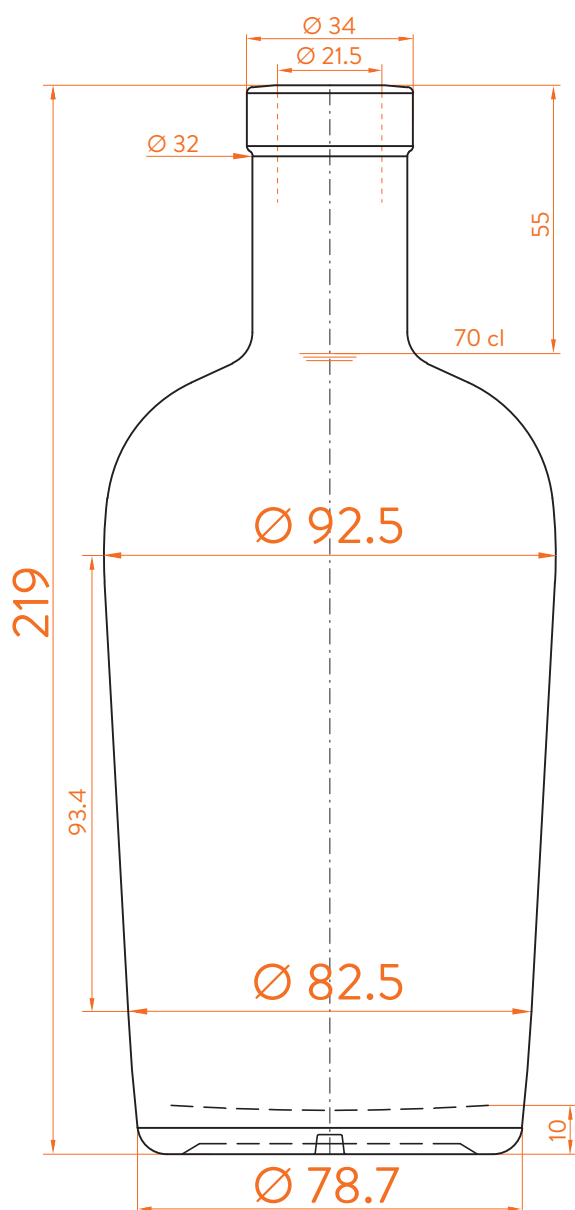


# TEO<sup>®</sup>





# estal

www.estal.com  
+34 972 821 676



Modelo registrado/  
Registered model/  
Modèle enregistré

 Bartop

-  EXTRA FLINT
-  BLACK
-  DARK WILD GLASS
-  FLINT WILD GLASS



## DATOS TÉCNICOS TECHNICAL DATA DONNÉES TECHNIQUES

<b>Peso / Weight / Poids</b>	600 gr
<b>Altura total / Total height / Hauteur totale</b>	219 mm
<b>Diámetro del cuerpo / Body diameter / Diamètre du corps</b>	78,7 / 92,5 mm
<b>Ø interno boca / Ø inner mouth / Ø intérieur bouche</b>	21,5 mm
<b>Capacidad a verter / Brimfull / Capacité Ras-Bord</b>	722 ml

## 70 cl

At first the TEO range is proposed in 5, 70, 75, 100, 150, 175 and 300 cl.  
Following business opportunities, other sizes - from miniature 5 cl to big sizes 300 cl will be added to the range.

The elements detailed in this document are not contractual. They are only indicative.