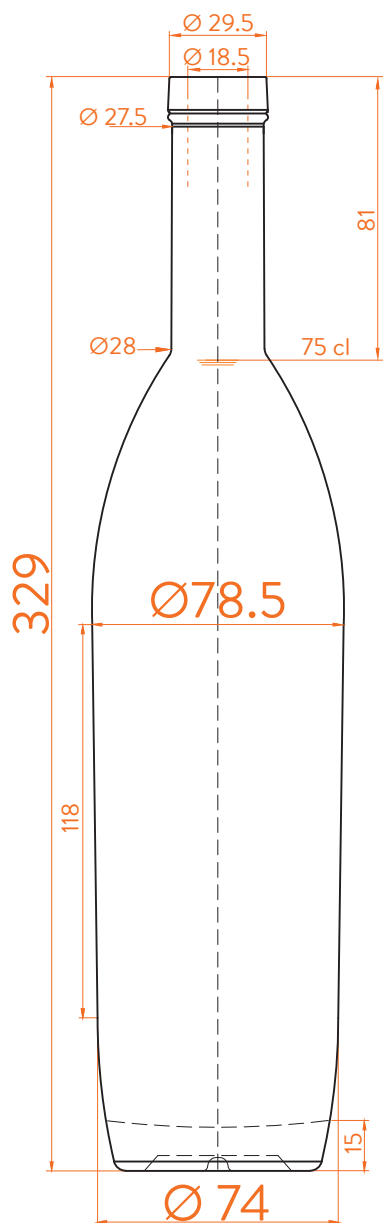


# SLIM<sup>®</sup>

# estal

www.estal.com  
+34 972 821 676



Modelo registrado/  
Registered model/  
Modèle enregistré



EXTRA FLINT



## DATOS TÉCNICOS TECHNICAL DATA DONNÉES TECHNIQUES

**Peso / Weight / Poids**

600 gr

**Altura total / Total height / Hauteur totale**

329 mm

**Diámetro del cuerpo / Body diameter / Diamètre du corps**

74 / 78,5 mm

**Ø interno boca / Ø inner mouth / Ø intérieur bouche**

18,5 mm

**Capacidad a verter / Brimfull / Capacité Ras-Bord**

777 ml

## 75 cl

At first the SLIM range is proposed in 70 and 75 cl.  
Following business opportunities, other sizes - from miniature 5 cl to big sizes 300 cl will be added to the range.

The elements detailed in this document are not contractual. They are only indicative.