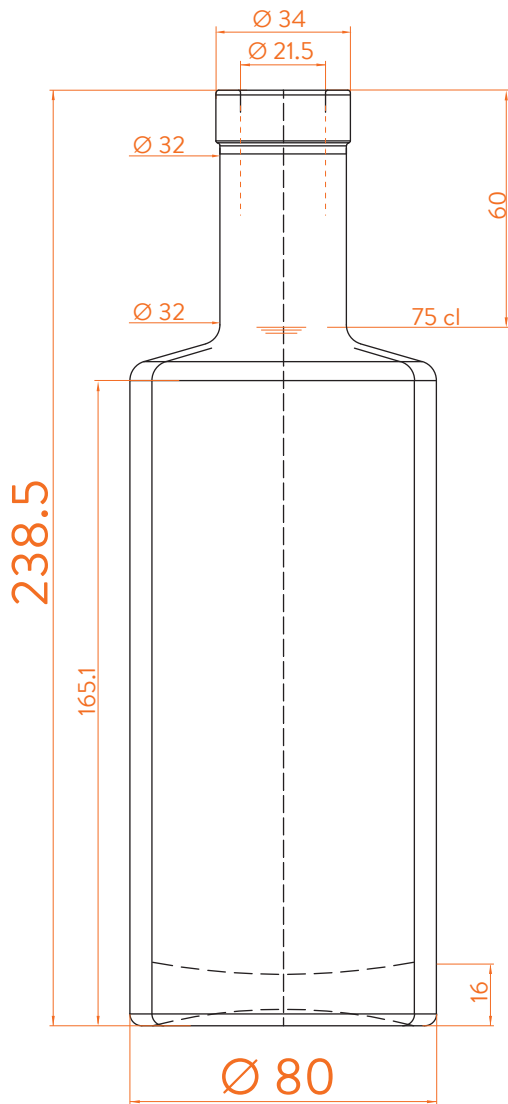


# BOXTER<sup>®</sup>

# estal

www.estal.com  
+34 972 821 676



Modelo registrado/  
Registered model/  
Modèle enregistré



## DATOS TÉCNICOS TECHNICAL DATA DONNÉES TECHNIQUES

**Peso / Weight / Poids**

850 gr

**Altura total / Total height / Hauteur totale**

238,5 mm

**Diámetro del cuerpo / Body diameter / Diamètre du corps**

80 mm

**Ø interno boca / Ø inner mouth / Ø intérieur bouche**

21,5 mm

**Capacidad a verter / Brimfull / Capacité Ras-Bord**

75 ml

## 75 cl

At first the BOXTER range is proposed in 70 and 75 cl.

Following business opportunities, other sizes - from miniature 5 cl to big sizes 300 cl will be added to the range.

The elements detailed in this document are not contractual. They are only indicative.